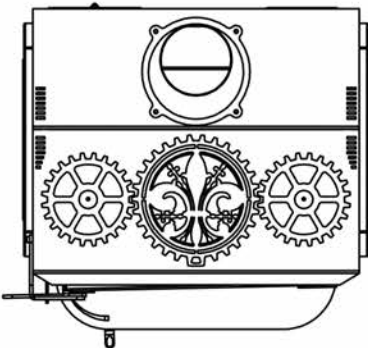
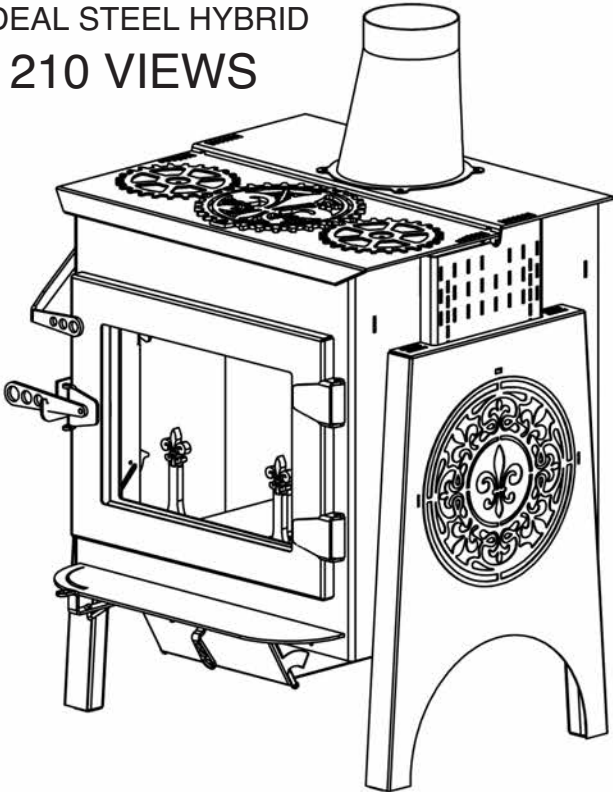
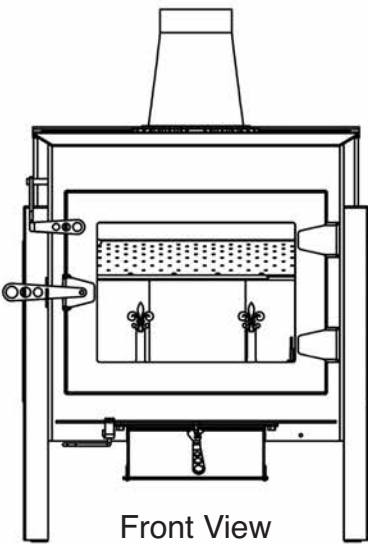


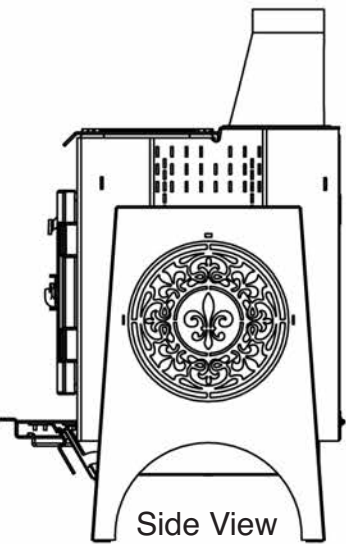
MODEL 210: IDEAL STEEL HYBRID  
MODEL 210 VIEWS



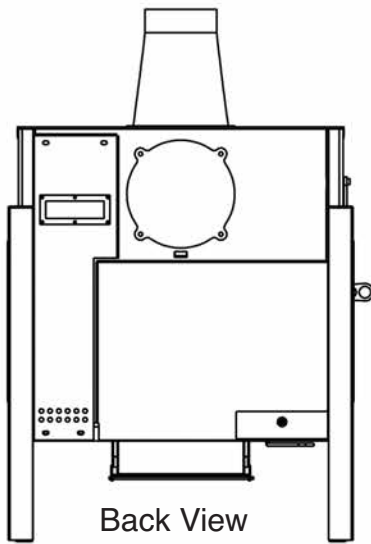
Top View



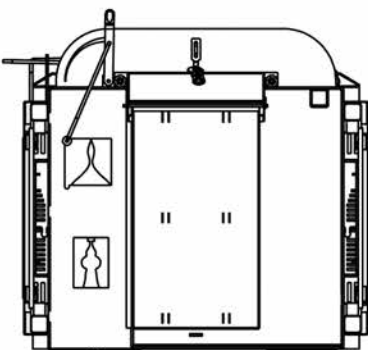
Front View



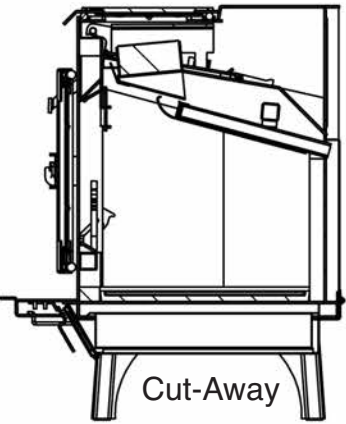
Side View



Back View



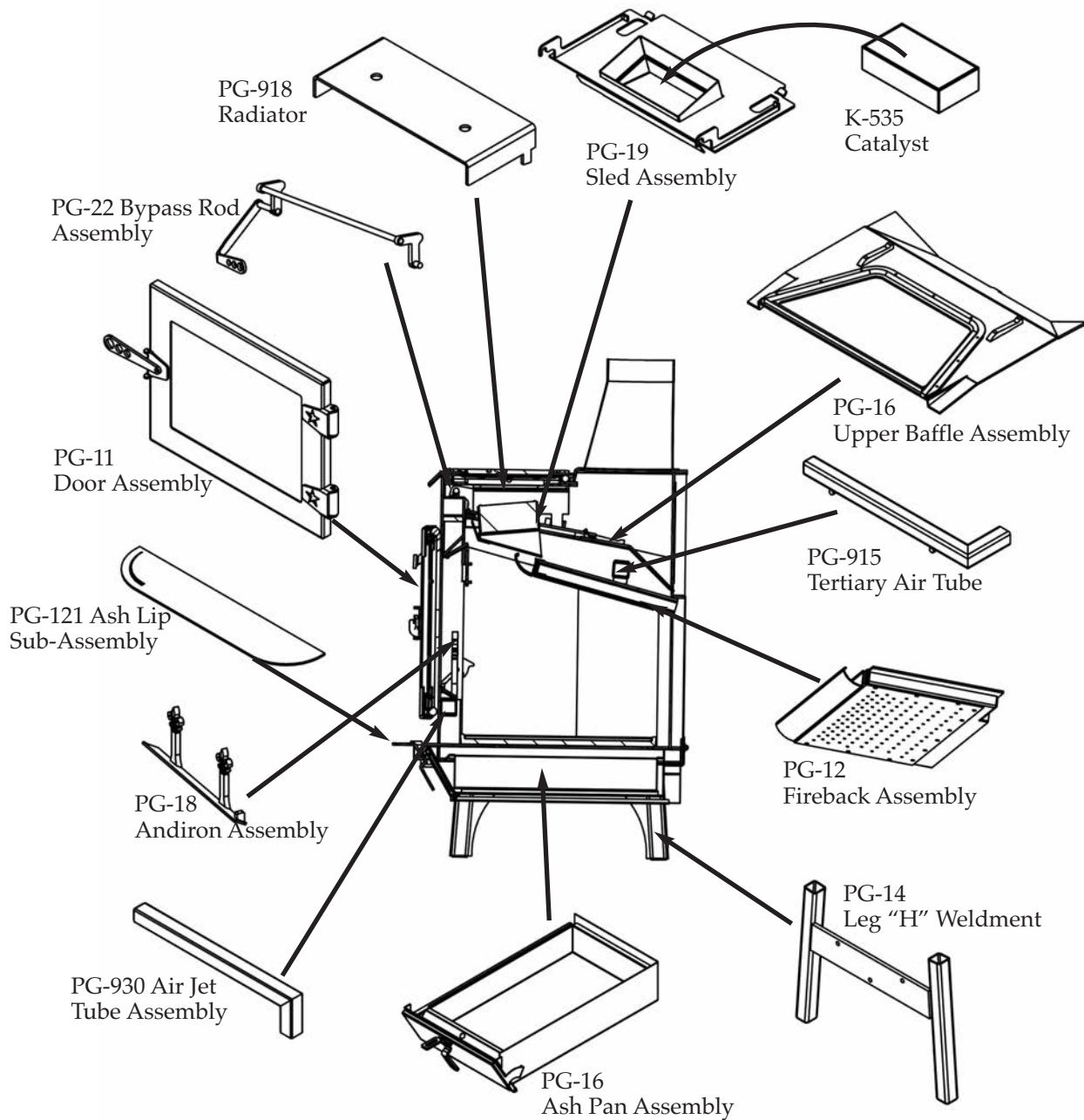
Bottom View



Cut-Away

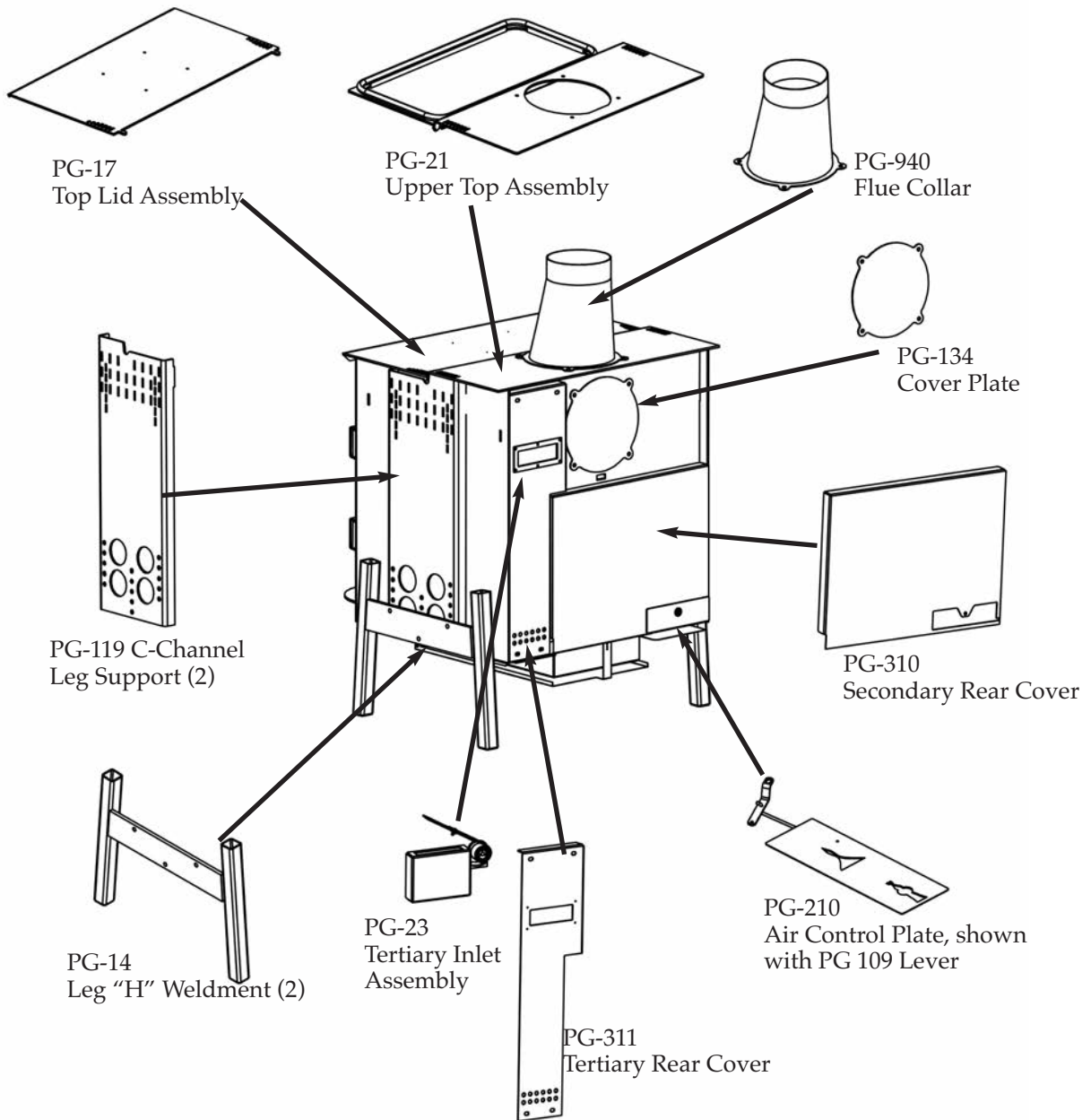
MODEL 210: IDEAL STEEL HYBRID  
**MODEL 210 ASSEMBLIES, PAGE 1**

PG-918 Radiator	PG-19 Sled Assembly
PG-22 Bypass Rod Assembly	K-535 Catalyst
PG-11 Door Assembly	PG-16 Upper Baffle Assembly
PG-121 Ash Lip Sub-Assembly	PG-915 Tertiary Air Tube
PG-18 Andiron Assembly	PG-12 Fireback Assembly
PG-930 Air Jet Tube Assembly	PG-14 Leg "H" Weldment (2)
PG-16 Ash Pan Assembly	

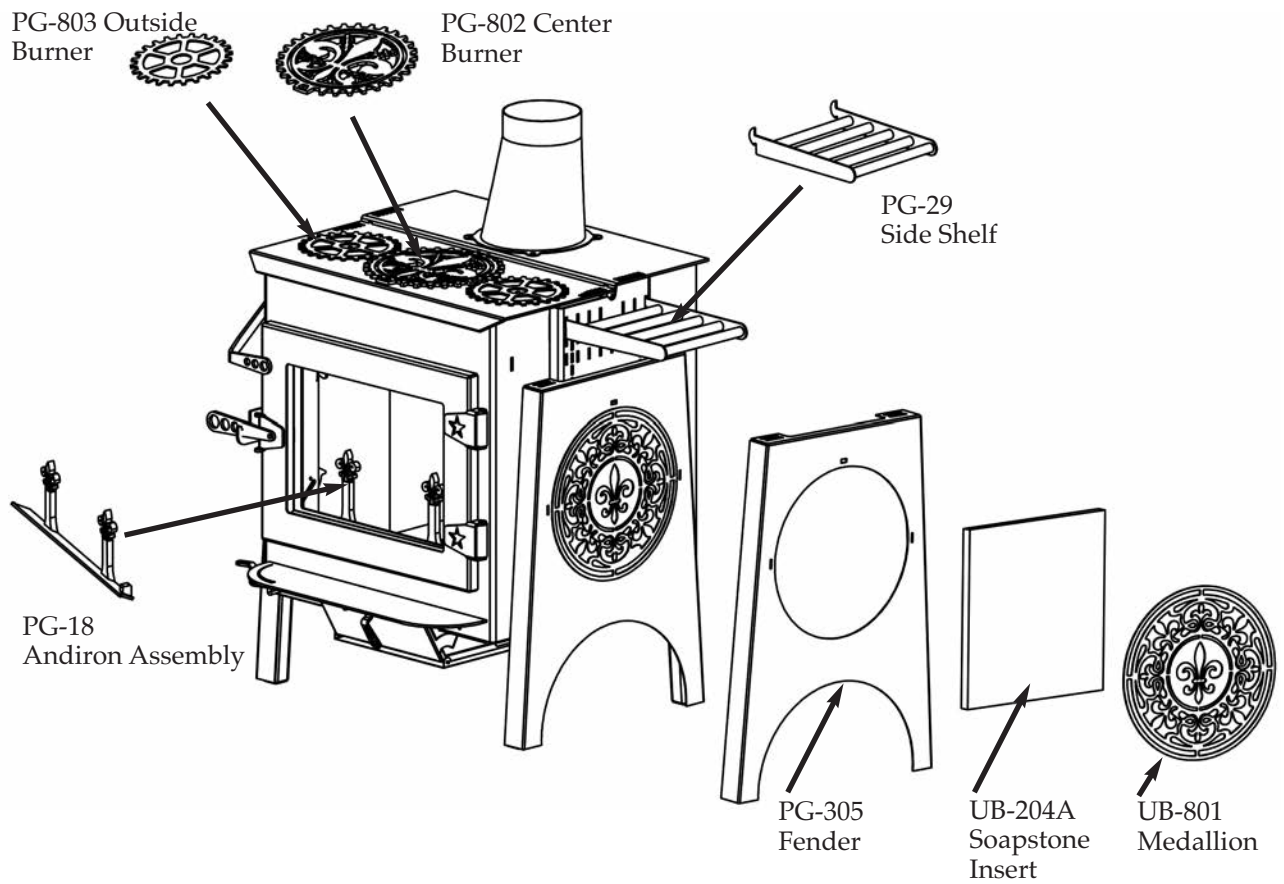


MODEL 210: IDEAL STEEL HYBRID  
**MODEL 210 ASSEMBLIES, PAGE 2**

PG-21 Upper Top Assembly	PG-311 Tertiary Rear Cover
PG-17 Top Lid Assembly	PG-210 Air Control PLate/Linkage
PG-119 C-Channel Leg Support (2)	PG-310 Secondary Rear Cover
PG-14 Leg "H" Weldment (2)	PG-134 Cover Plate
PG-23 Tertiary Inlet Assembly	PG-940 Flue Collar



MODEL 210: IDEAL STEEL HYBRID  
DECORATIVE ACCESSORIES/ATTACHMENTS



MODEL 210: IDEAL STEEL HYBRID

PG-26 SOAPSTONE LINER and W-2000 FIREBRICK BASE

PG-26-A. Soapstone Brick 4.5"x9" (15)

PG-26-B. Soapstone Brick 4.5"x6.5" (2)

PG-26-C. Soapstone Brick 4.5"x 5.25" (2)

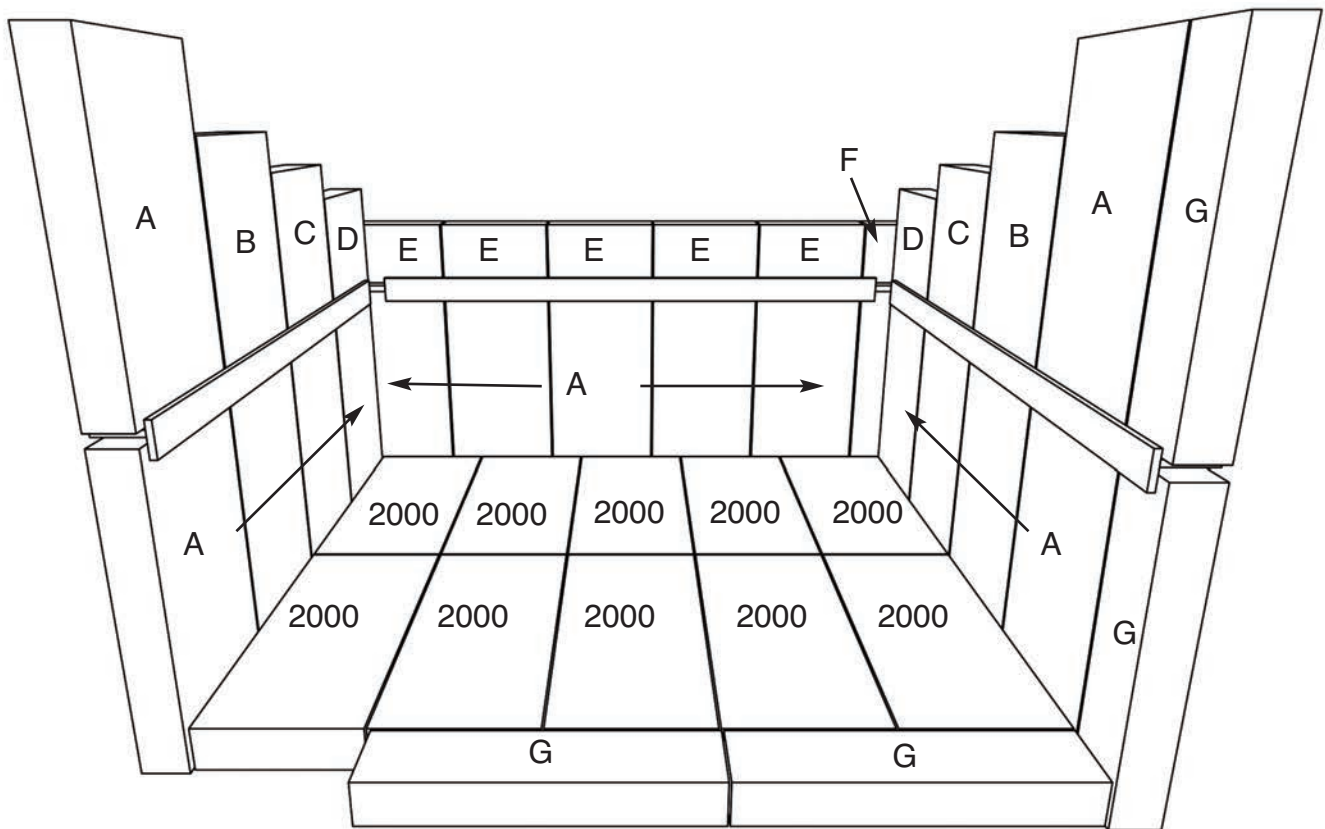
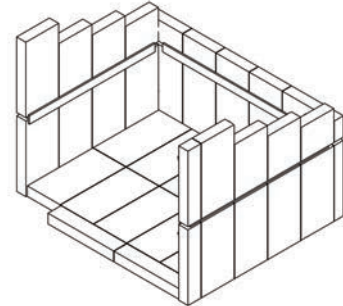
PG-26-D. Soapstone Brick 4.5"x 4" (2)

PG-26-E. Soapstone Brick 4.5"x 2.5" (5)

PG-27-F. Soapstone Brick 2.5"x 2.5" (1)

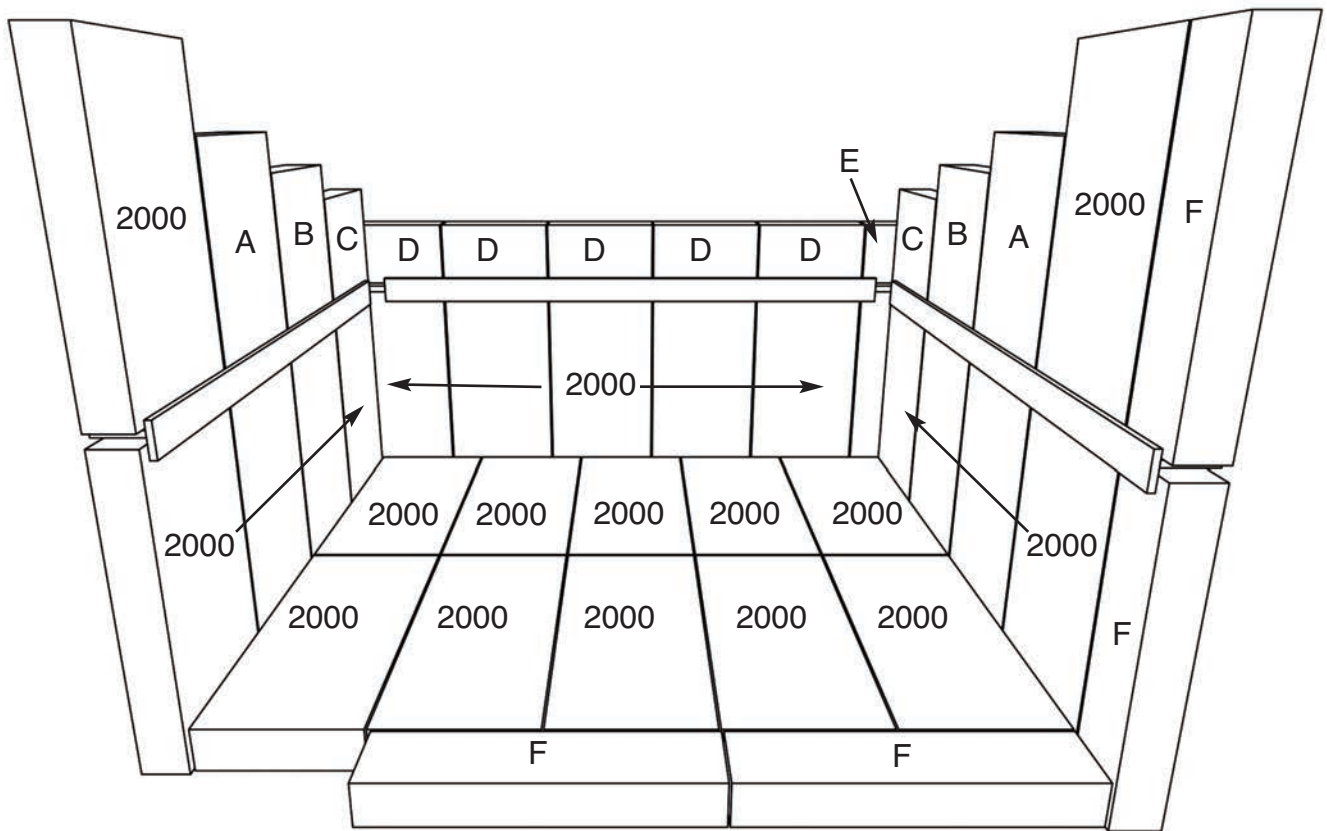
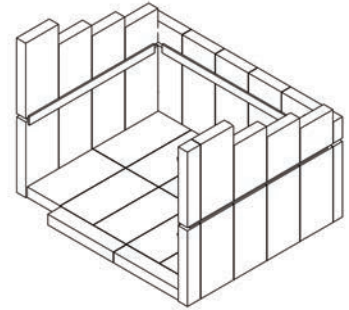
PG-27-G. Soapstone Brick 1.75"x 9" (4)

W-2000. Firebrick 4.5"x9" (10)



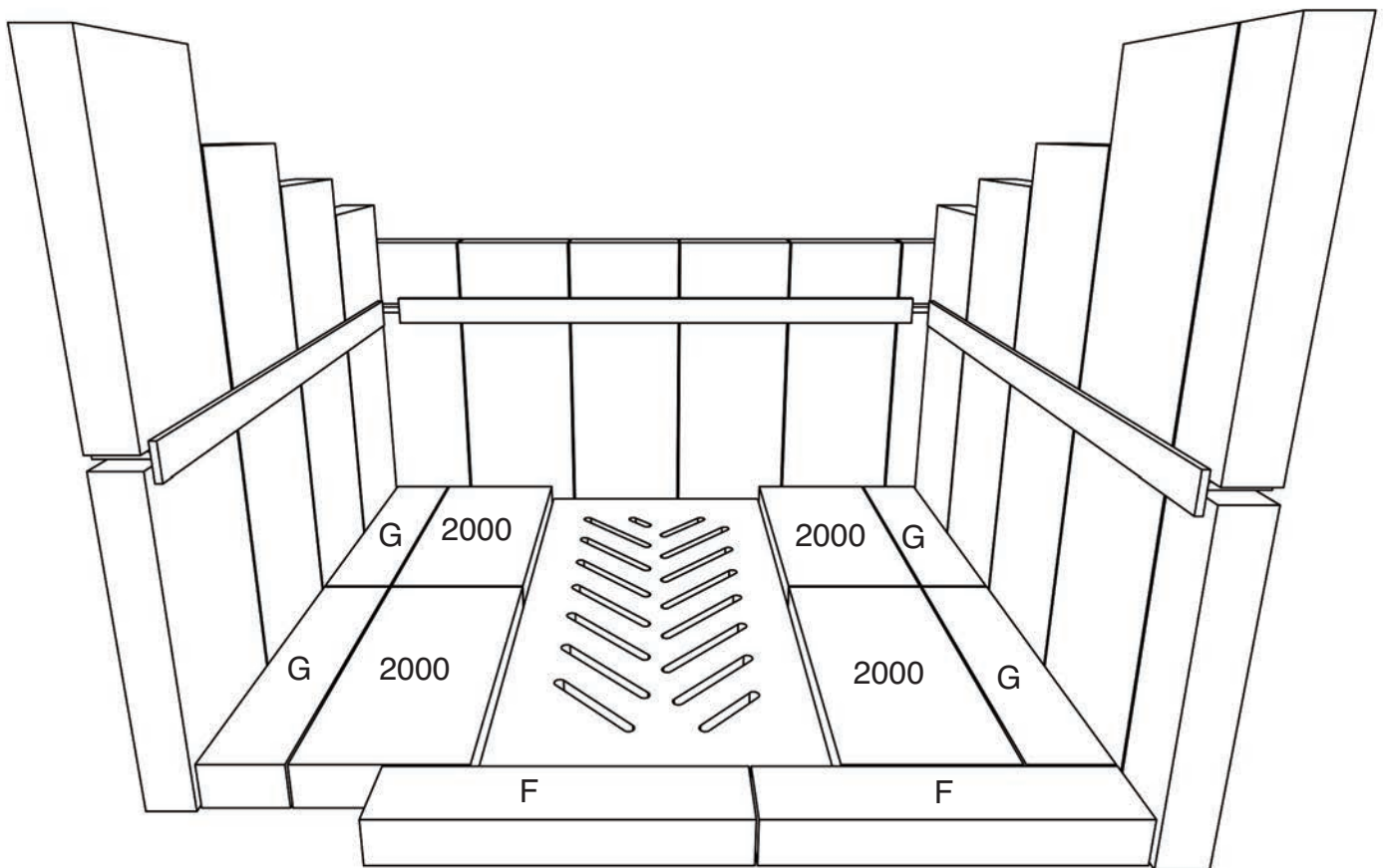
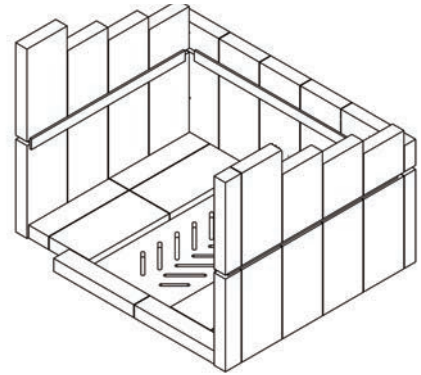
MODEL 210: IDEAL STEEL HYBRID  
**W-2000 FIREBRICK LINER and FIREBRICK BASE**

W-2000 Firebrick Back 4.5"x 9" (25)	W-2000-E Firebrick 2.5"x 2.5" (1)
W-2000-A Firebrick 4.5"x 6.5" (2)	W-2000-F Firebrick 1.75"x 9" (4)
W-2000-B Firebrick 4.5"x 5.25" (2)	
W-2000-C Firebrick 4.5"x 4" (2)	
W-2000-D Firebrick 4.5"x 2.5" (5)	



MODEL 210: IDEAL STEEL HYBRID  
ASH PAN GRATE and W-2000 FIREBRICK BASE

PG-981 Ash Grate
W-2000 Firebrick Back 4.5" x 9" (4)
W-2000-F Firebrick 1.75" x 9" (2)
W-2000-G Firebrick 2.125" x 9" (4)



# PARTS LIST

<b>COMPLETE ASSEMBLIES AVAILABLE AS REPLACEMENT PARTS</b>		
PG-14 LEG "H" WELDMENT		
PG-305 FENDER		
PG-17 TOP LID ASSEMBLY		
PG-11 DOOR ASSEMBLY		
PG-121 ASH LIP ASSEMBLY		
PG-19 SLED ASSEMBLY		
PG-22 BYPASS ROD ASSEMBLY		
PG-18 ANDIRON		
<b>THE FOLLOWING PARTS ARE AVAILABLE FOR EACH ASSEMBLY</b>		
<b>FIREBOX</b>		
PG-944-140109	STEEL: TERTIARY SEAL PLATE	1
PG-945-140113	HARDWARE: BIMETALLIC COIL	1
PG-136-140113	STEEL: BIMETALLIC PLATE & STUD	1
PG-109	STEEL: AIR CONTROL HANDLE	1
PG-904	STEEL: AIR CONTROL LINK	1
PG-311-131009	STEEL: REAR TERTIARY COVER	1
PG-918	STEEL: RADIATOR	1
PG-134-131106	STEEL: FLUE COVER PLATE	1
PG-940-131104	STEEL: FLUE COLLAR 8 to 6	1
<b>PG-17 TOP LID ASSEMBLY</b>		
PG-317-131106	STEEL: SPACER, HEAT SHLD	1
PG-923-131003	STAINLESS: HEAT SHIELD, UPR	1
PG-318-131202	STEEL: PENTAGON SPACER	2
<b>PG-11 DOOR ASSEMBLY</b>		
PG-206	STEEL: DOOR FRAME	1
PG-117-130925	STEEL: DOOR HANDLE	1
PG-303.1-131023	STEEL: DOOR GLASS RETAINER	1
PG-118-131107	STEEL: DOOR LATCH	1
PG-933-140113	GLASS: HIGH TEMP	2
<b>PG-16 UPPER BAFFLE ASSEMBLY</b>		
PG-217-131001	STEEL: GASKET RETAINER BOW	1
PG-218-131001	STEEL: STR GASKET RETAINER	1
<b>PG-22 BYPASS ROD ASSEMBLY</b>		
PG-112-130924	STEEL: BYPASS HANDLE	1
<b>ACCESSORIES</b>		
UB-204AA	SIDE SOAPSTONE	2
PG-802-140113	CENTER BURNER	1
PG-801-140113	SIDE MEDALLION	2
PG-803-140113	OUTER BURNER	2
<b>PG-16 ASH PAN ASSEMBLY</b>		
UB-217, 080513	STEEL: HINGE PIN, ASH DOOR	1
PG-937-131030	STEEL: OUTER ASH DOOR	1
PG-924-131004	STEEL: SPCR, ASHPAN HANDLE	1
PG-124-130924	STEEL: ASH PAN HANDLE	1
PG-130-131029	STEEL: ASH PAN CATCH	1
PG-934-131106	STEEL: ASH PAN	1



## GASKET AND CATALYTIC COMBUSTOR SPECIFICATIONS

PART	SPECIFICATION
① Gasket For Top Lid	1.00" Rope
② Gasket For Sled Assembly/Bypass	Tadpole Gasket
③ Gasket for Catalyst to Sled	0.625 Wide Flat
④ Gasket for Load Door	0.750 Rope
⑤ Gasket for Ash Pan Door	0.500" Rope
⑥ Gasket for Top Lid Assembly	0.250" Rope
⑦ Gasket for Glass in Door	0.625" Graphite Tape
⑧ Gasket for Flue Collar/Block-off	0.75 Flat Adhesive Gasket (cut in half)
⑨ PG-K-535 Catalyst	5.25" x 10" x 2.625" Canned Dim. Durafoil or equivalent; 49 cells per square inch

