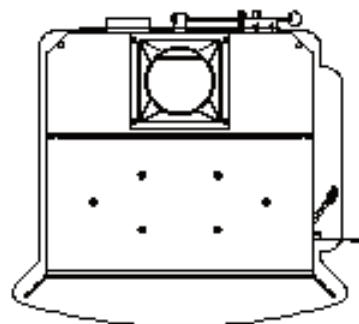
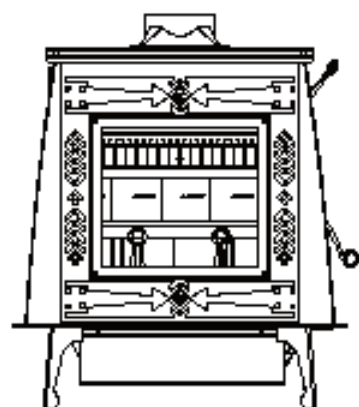
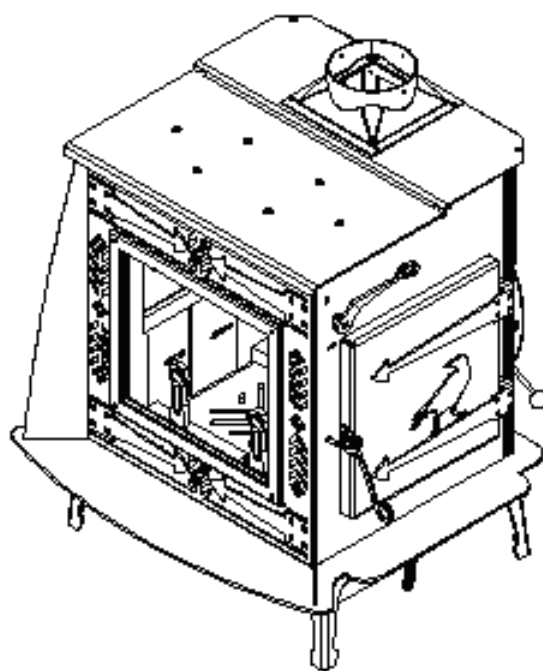


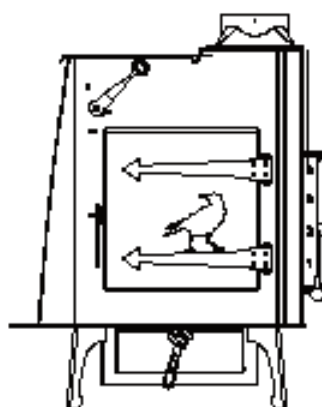
REPLACEMENT PARTS



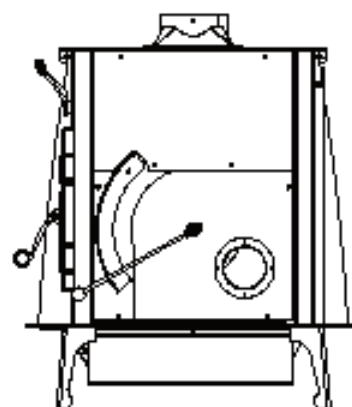
TOP VIEW



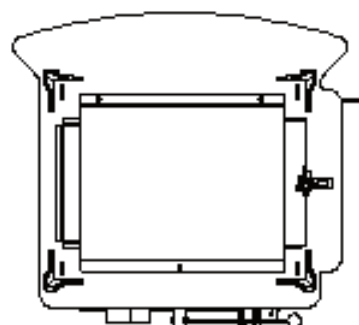
FRONT VIEW



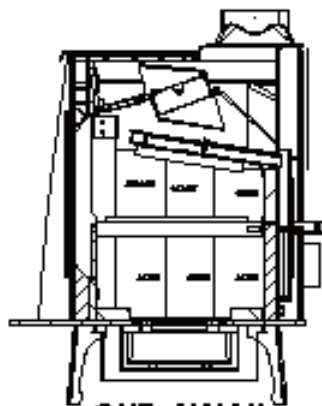
SIDE VIEW



BACK VIEW



BOTTOM VIEW



CUT-AWAY

REPLACEMENT PARTS

COMPLETE ASSEMBLIES AVAILABLE AS REPLACEMENT PARTS

PART NO.	DESCRIPTION	QTY/PER	
R-10	DOOR ASSEMBLY	1	
R-18	FLUE COLLAR ASSEMBLY	1	
R-22	AIR INTAKE WHEEL ASSEMBLY	1	
R-26	TOP LID ASSEMBLY	1	
R-30	BRICK RETAINER ASSEMBLY	1	
R-32	ANDIRON HOLDER ASSEMBLY	2	
R-34	PRIMARY JET INLET ASSEMBLY	2	
R-46	RACHET, AIR INTAKE ASSEMBLY	1	
R-48	OUTSIDE AIR ADAPTOR ASSEMBLY	1	
R-50	GRATE ASSEMBLY	1	
R-52	SOAPSTONE LINER ASSEMBLY	1	
R-54	TERTIARY AIR INLET ASSEMBLY	2	
R-56	COMBUSTOR ASSEMBLY	1	

INDIVIDUAL PARTS AVAILABLE FOR REPLACEMENT

PART NO.	DESCRIPTION	QTY/PER	MATERIAL
R-907	HINGE PIN, DOOR	2	STEEL
R-193	HANDLE, DOOR	1	STEEL
R-925	BYPASS COVER	1	STEEL
R-513	HEAT SHIELD, BYPASS COVER	1	SS
R-935	HANDLE, BYPASS	1	STEEL
R-165	TOP LID	1	STEEL
R-515	HEAT SHIELD, TOP LID	1	SS
R-163	FLUE COVER	1	STEEL
R-145	GLASS RETAINER	1	STEEL
R-904	GLASS, HIGH TEMP: 5 MM CERAMIC	2	GLASS
R-981	ASH PAN (PG-934)	1	STEEL
R-983	ASH PAN COVER (PG-989)	1	STEEL
R-917	HINGE PIN, ASH DOOR	1	STEEL
R-121	HANDLE, ASH DOOR	1	STEEL
R-913	ASH DOOR, OUTER	1	STEEL
R-941	HANDLE, AIR INTAKE	1	STEEL
R-943	KNOB, AIR INTAKE	1	PHENOLIC
R-997	HEAT SHIELD, REAR	1	STEEL
R-995	HEAT SHILD, BOTTOM	1	STEEL
R-523	HOOD, COMBUSTOR	1	SS

GASKET SPECIFICATIONS

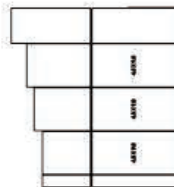
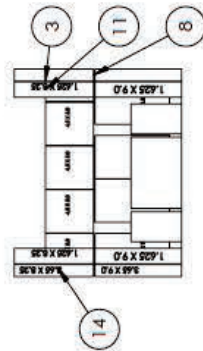
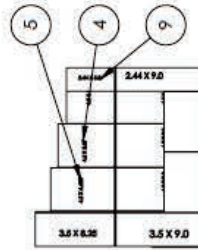
PART	SPECIFICATION		
TOP LID	1.00" LD1 ROPE	64"	
BYPASS	.625" LD2 GRAPHITE ROPE	42"	
COMBUSTOR	.625" LD2 GRAPHITE ROPE	38"	
DOOR	.750" MD ROPE	52"	
ASH PAN DOOR	.500 MD ROPE	32"	
GLASS	BH .125X.750 GRAPHITE TAPE /.187 X .750 TAPE	58" x 1 per size	
FLUE COLLAR	BH .125X.750 GRAPHITE TAPE CUT IN HALF	34"	
FLUE COVER	BH .125X.750 GRAPHITE TAPE CUT IN HALF	34"	
OAA	BH .125X.750 GRAPHITE TAPE CUT IN HALF	121"	

CATALYTIC COMBUSTOR SPECIFICATIONS

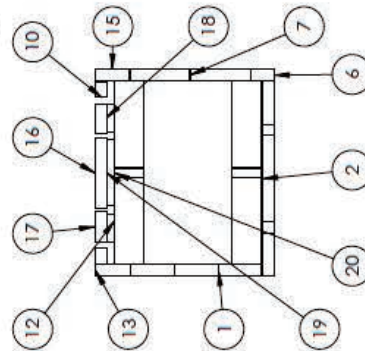
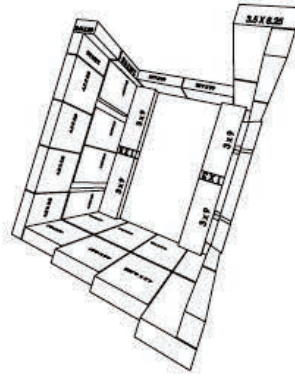
IR-56: 5.25" X 10" X 2.125" CANNED DIM. DURAFOIL OR EQUIVALENT. 49 CELLS PER SQ INCH

INSIDE LINER REPLACEMENT PARTS

ITEM NO.	PART NUMBER	DESCRIPTION	QTY.	Material	Dim. 1	Dim. 2	Bends	Drill Tap Ream	Component of:
1	R-411-151007	SOAPSTONE	7	PURCHASED	4.5	9.0	0	0	R-52
2	R-413-151007	SOAPSTONE	5	PURCHASED	4.5	5	0	0	R-52
3	R-431-151007	SOAPSTONE	1	PURCHASED	2.13	5	0	0	R-52
4	R-415-151007	SOAPSTONE	1	PURCHASED	4.5	5.87	0	0	R-52
5	R-417-151007	SOAPSTONE	1	PURCHASED	4.5	6.63	0	0	R-52
6	R-423-151007	SOAPSTONE	1	PURCHASED	2.44	9	0	0	R-52
7	R-437-151007	SOAPSTONE	2	PURCHASED	4	6.75	0	0	R-52
8	R-429-151007	SOAPSTONE	1	PURCHASED	3.5	8.25	0	0	R-52
9	R-433-151007	SOAPSTONE	1	PURCHASED	2.44	5	0	0	R-52
10	R-421-151007	SOAPSTONE	2	PURCHASED	1.63	9	0	0	R-52
11	R-427-151007	SOAPSTONE	2	PURCHASED	1.63	8.25	0	0	R-52
12	R-419-151007	BRICK (1 CUT)	4	PURCHASED	3	9	0	0	R-52
13	R-425-151007	SOAPSTONE	1	PURCHASED	3.65	9	0	0	R-52
14	R-435-151007	SOAPSTONE	1	PURCHASED	3.65	8.25	0	0	R-52
15	R-422-151117	SOAPSTONE	1	PURCHASED	3.5	9	0	0	R-52
16	R-449-151230	SOAPSTONE	1	PURCHASED	5.25 (-45°)	7.4	0	0	R-52
17	R-451-151230	SOAPSTONE	2	PURCHASED	3.125	5.25 (-45°)	0	0	R-52
18	R-455-151230	SOAPSTONE	2	PURCHASED	2.88	4 (-45°)	0	0	R-52
19	R-453-151230	SOAPSTONE	1	PURCHASED	4 (-45°)	6.9	0	0	R-52
20	R-447-151229	BRICK (2 CUT)	2	PURCHASED	1	3	0	0	R-52



30



WOODSTOCK SOAPSTONE CO.

DRAWN: _____ NAME: _____ DATE: 2/12/2016

MATERIAL: _____ FINISH: _____ TITLE: _____

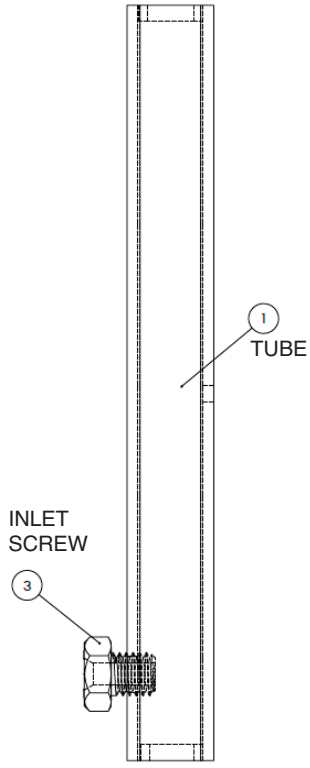
DO NOT SCALE DRAWING
UNLESS OTHERWISE SPECIFIED:
DIMENSIONS ARE IN INCHES
TOLERANCES: ANGULAR ± .001 INCH
HOLE ± .001 INCH
TWO PLACE DECIMAL ± .01
THREE PLACE DECIMAL ± .001

SIZE DWG. NO. **B** R-1-160104 REV. _____

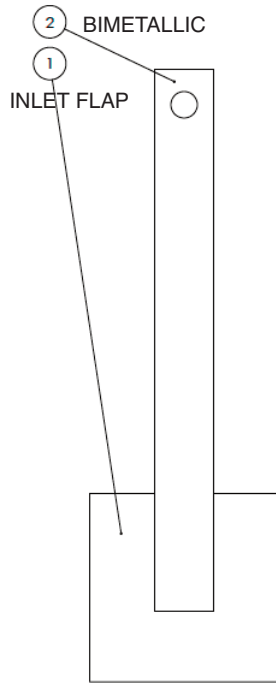
SHEET 23 OF 24

REPLACEMENT PARTS

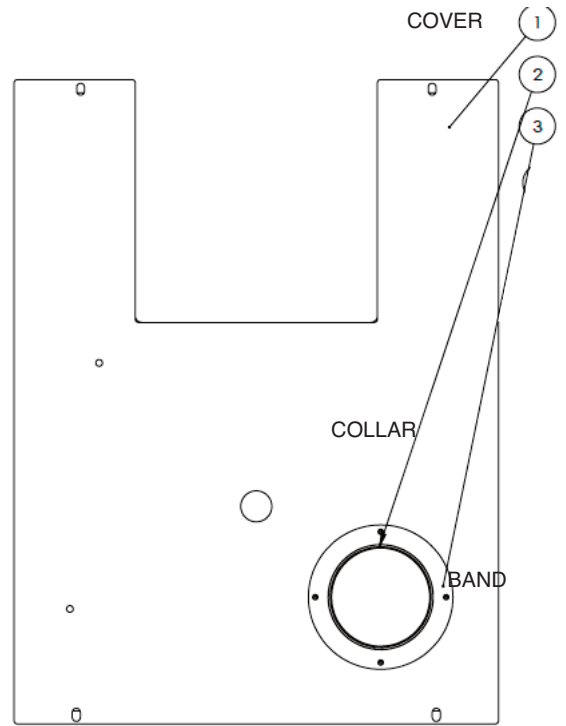
R-34 PRIMARY JET INLET ASSEMBLY



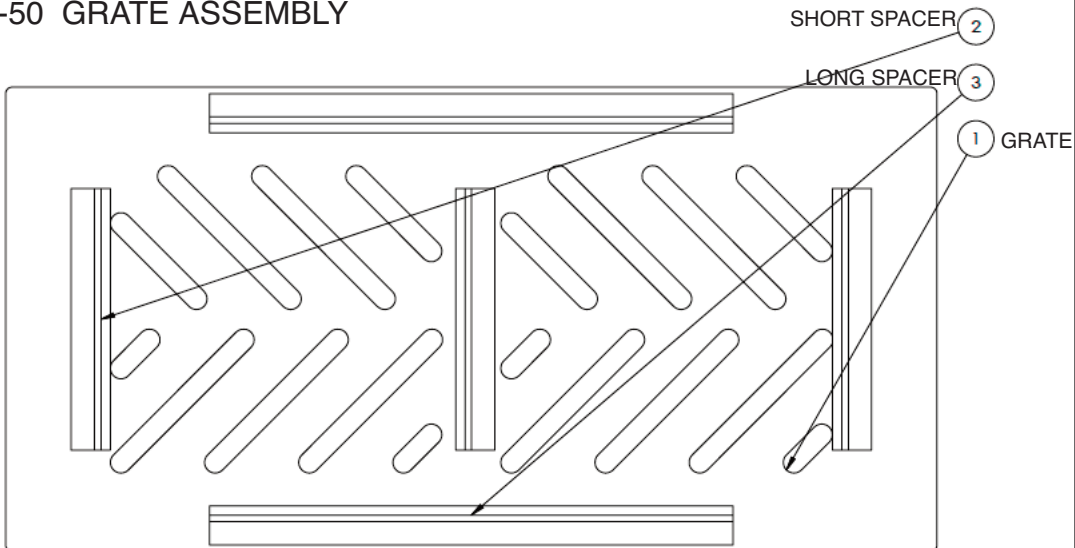
R-54 TERTIARY AIR INLET ASSEMBLY



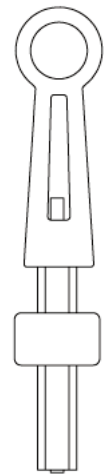
R-48 OUTSIDE AIR ADAPTOR ASSEMBLY



R-50 GRATE ASSEMBLY

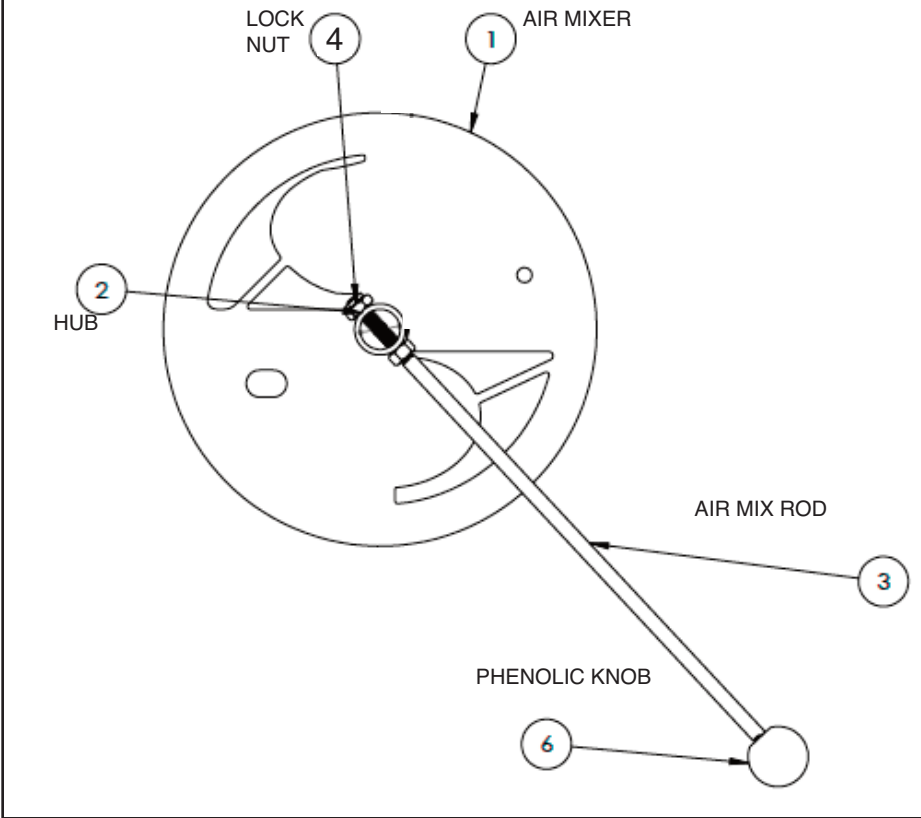


R-32a ANDIRON



REPLACEMENT PARTS

R-22 AIR INTAKE WHEEL ASSEMBLY



R-22 BYPASS DAMPER ASSEMBLY

