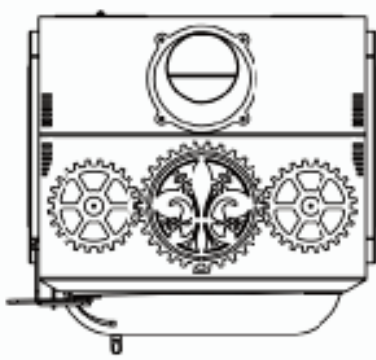
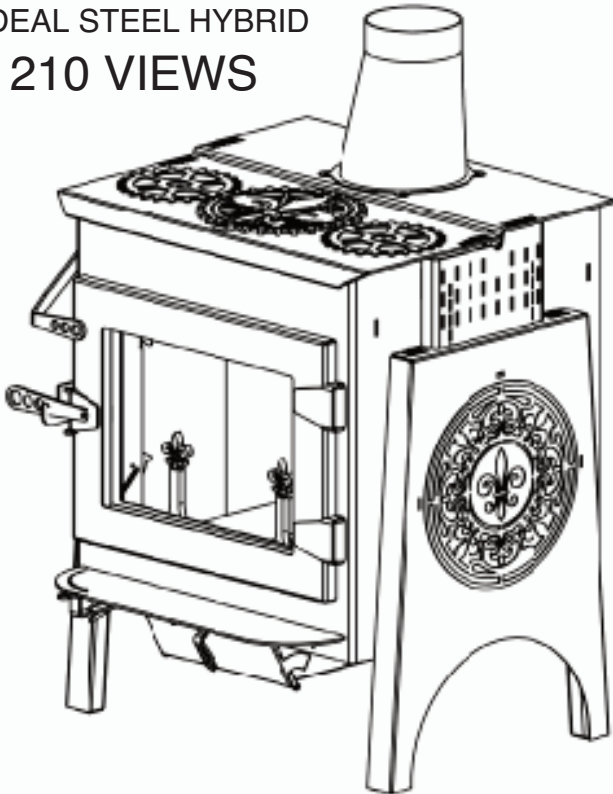
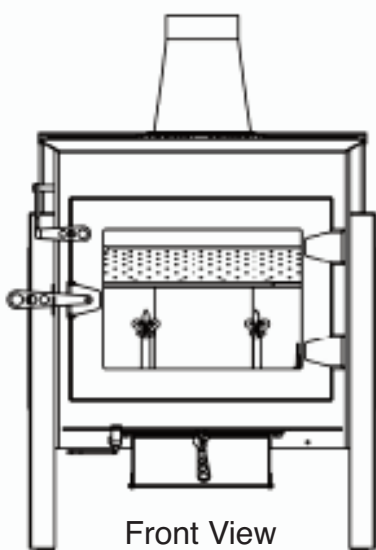


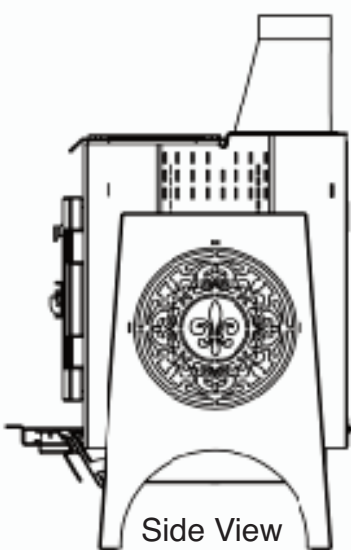
MODEL 210: IDEAL STEEL HYBRID
MODEL 210 VIEWS



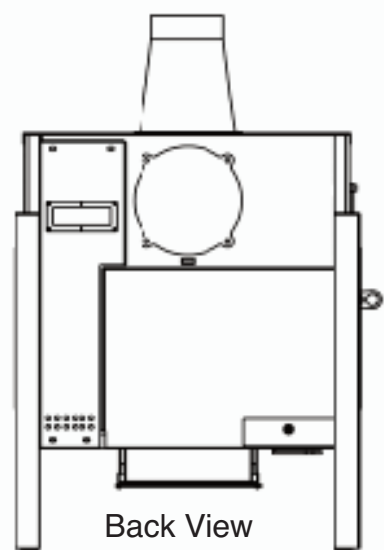
Top View



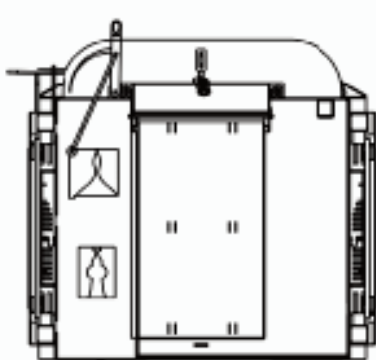
Front View



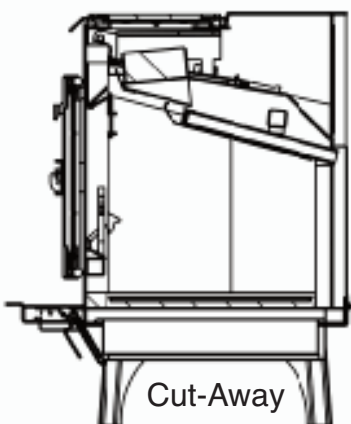
Side View



Back View



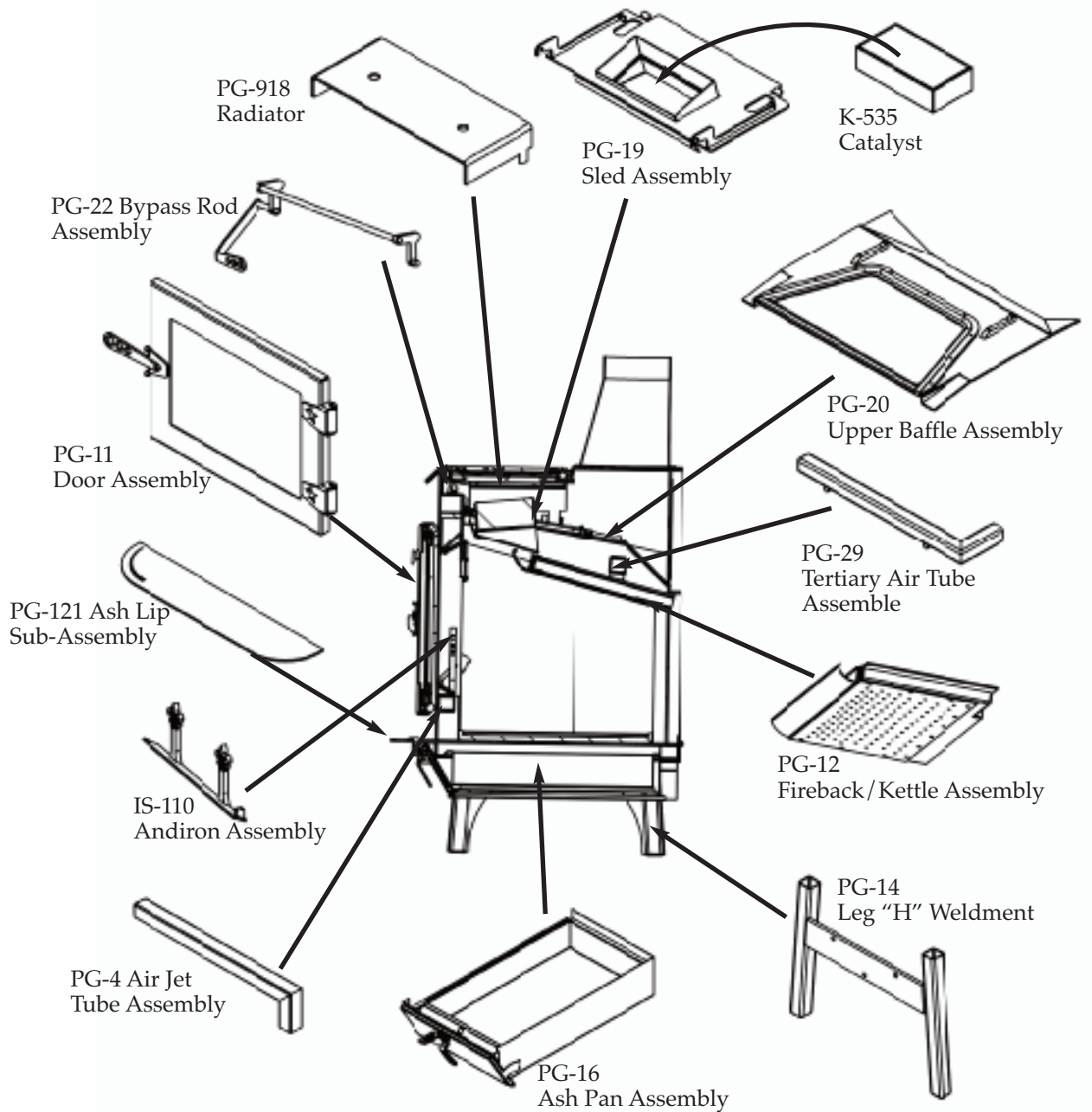
Bottom View



Cut-Away

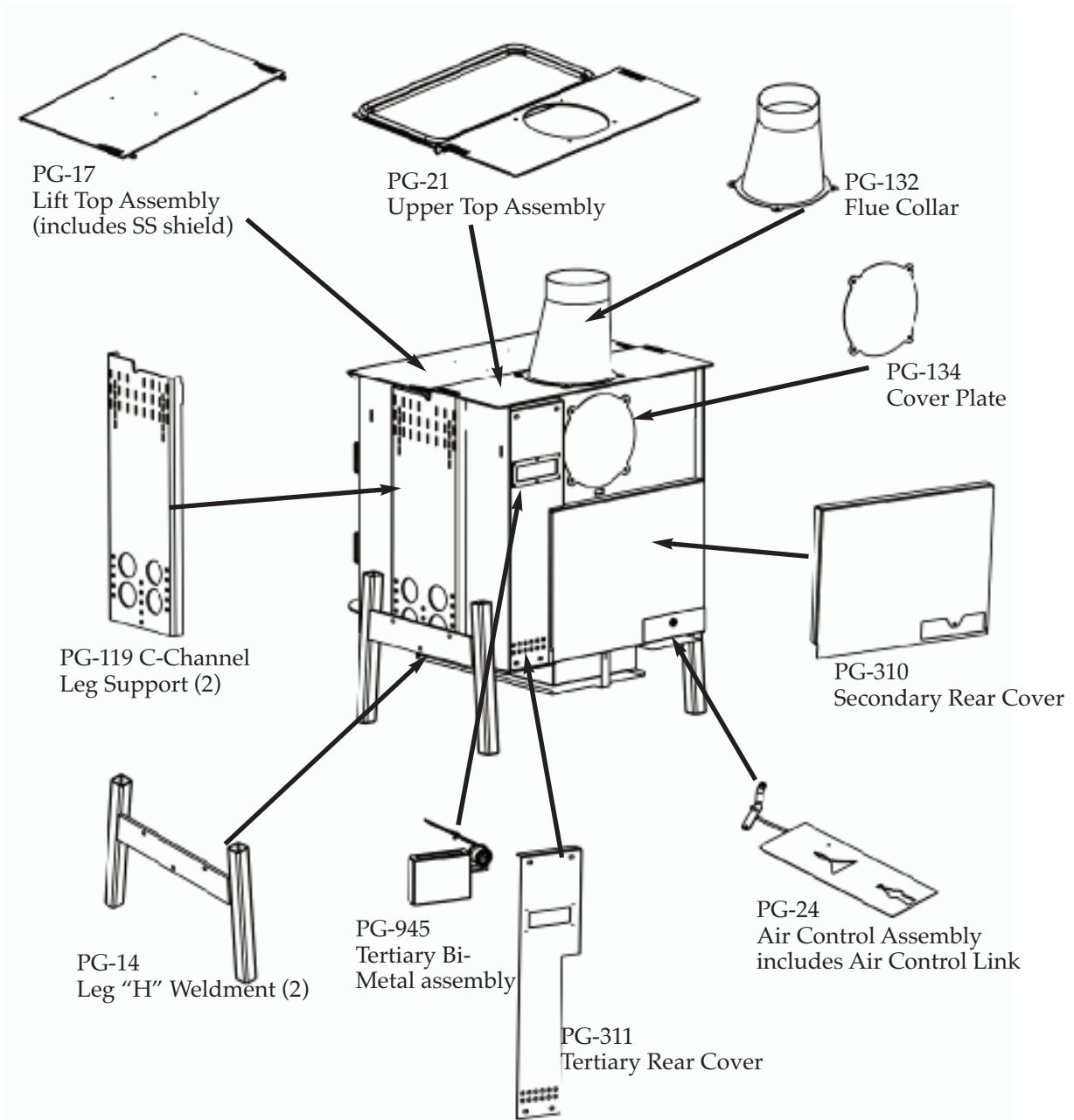
MODEL 210: IDEAL STEEL HYBRID
MODEL 210 ASSEMBLIES, PAGE 1

PG-918 Radiator	PG-19 Sled Assembly
PG-22 Bypass Rod Assembly	K-535 Catalyst
PG-11 Door Assembly	PG-20 Upper Baffle Assembly
PG-121 Ash Lip Sub-Assembly	PG-29 Tertiary Air Tube
PG-110 Andiron Assembly	PG-12 Fireback/Kettle Assembly
PG-4 Air Jet Tube Assembly	PG-14 Leg "H" Weldment (2)
PG-16 Ash Pan Assembly	

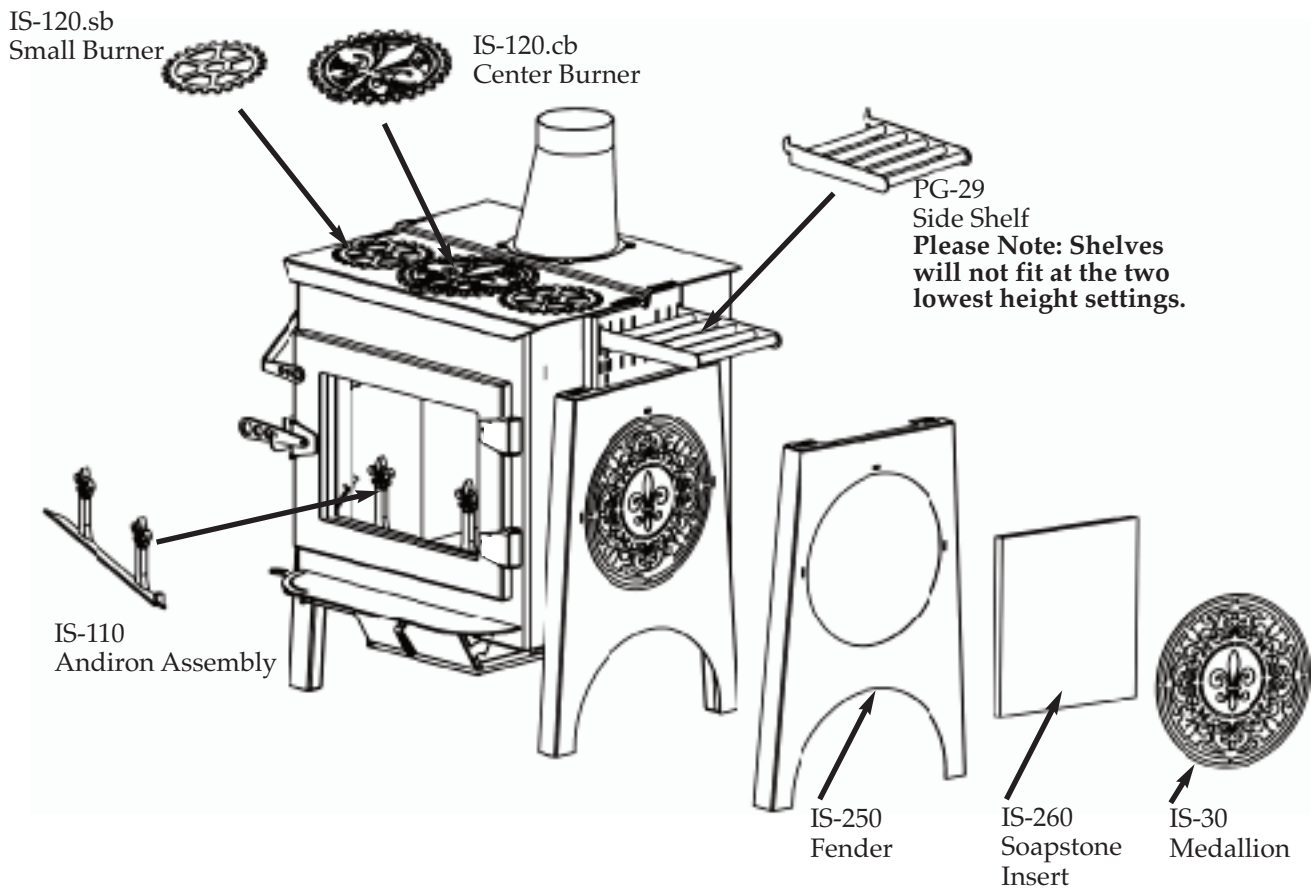


MODEL 210: IDEAL STEEL HYBRID
MODEL 210 ASSEMBLIES, PAGE 2

PG-21 Upper Top Assembly	PG-311 Tertiary Rear Cover
PG-17 Top Lid Assembly	PG-210 Air Control PLate/Linkage
PG-119 C-Channel Leg Support (2)	PG-310 Secondary Rear Cover
PG-14 Leg "H" Weldment (2)	PG-134 Cover Plate
PG-23 Tertiary Inlet Assembly	PG-940 Flue Collar



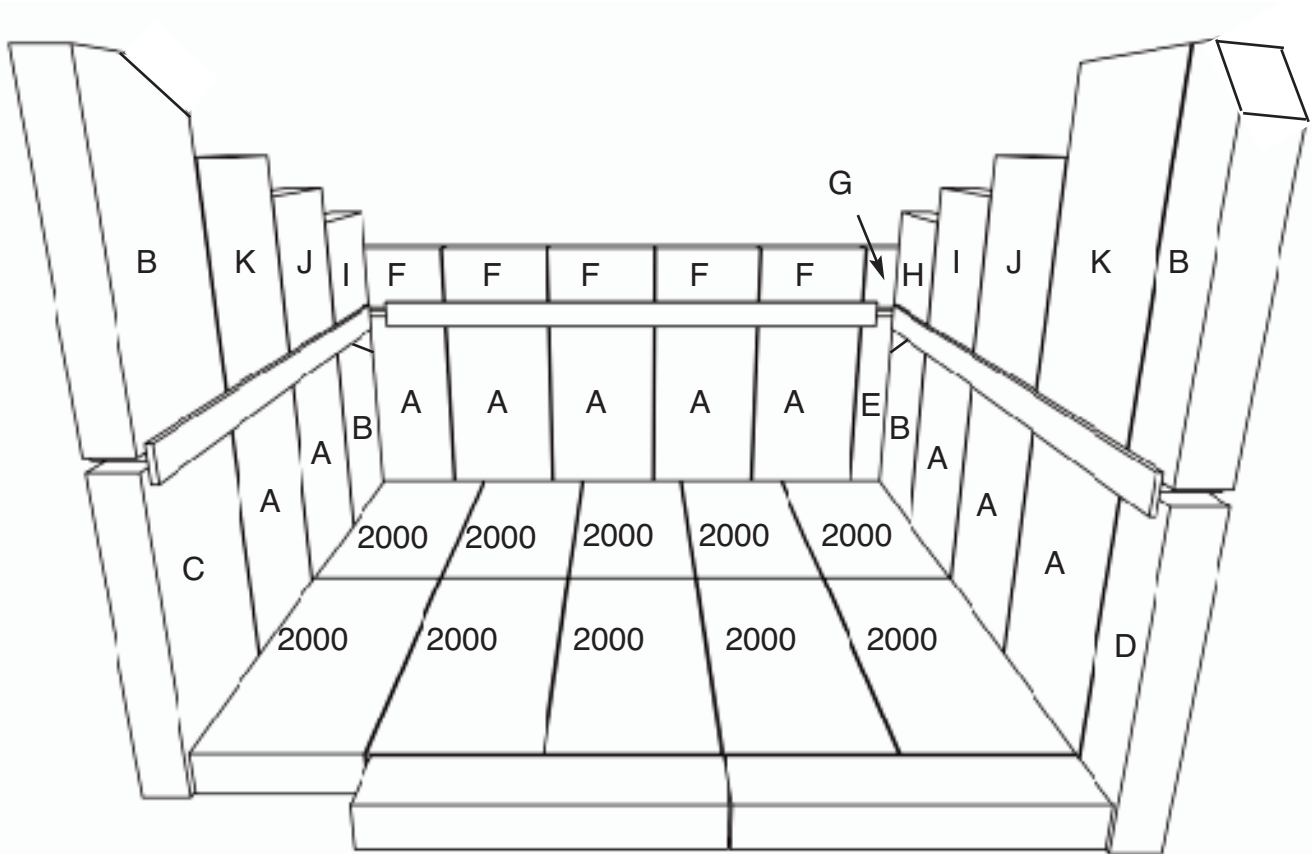
MODEL 210: IDEAL STEEL HYBRID
DECORATIVE ACCESSORIES/ATTACHMENTS



MODEL 210: IDEAL STEEL HYBRID

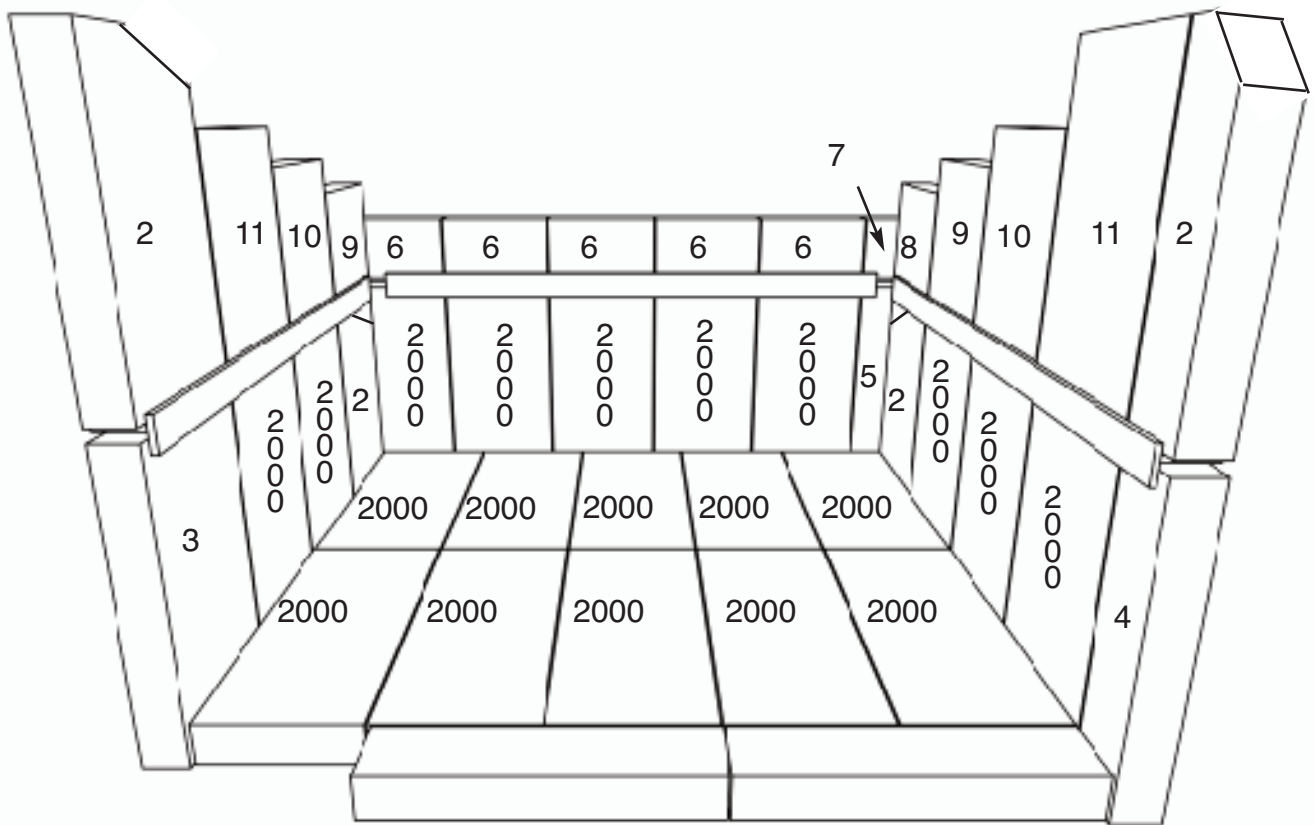
PG-26 SOAPSTONE LINER and W-2000 FIREBRICK BASE

PG-962.s. (A) Soapstone Brick 4.5"x9" (10)	PG-964.s (G) Soapstone Brick 2.25"x 2.5" (1)
PG-961.s (B) Soapstone Brick 4.5"x9" mitered (4)	PG-972.s (H) Soapstone Brick 2"x4" (1)
PG-972.s (C) Soapstone Brick 3.875"x 9" (1)	PG-965.s (I) Soapstone Brick 4"x4" (2)
PG-973.s (D) Soapstone Brick 1.375"x 9" (1)	PG-966 .s (J) Soapstone Brick 5.25"x4.5" (2)
PG-963.s (E) Soapstone Brick 2.25"x 9" (1)	PG-967 .s (K) Soapstone Brick 6.25"x4.5" (2)
PG-968.s (F) Soapstone Brick 2.25"x 4.5" (5)	W-2000. Firebrick 4.5"x9" (10)



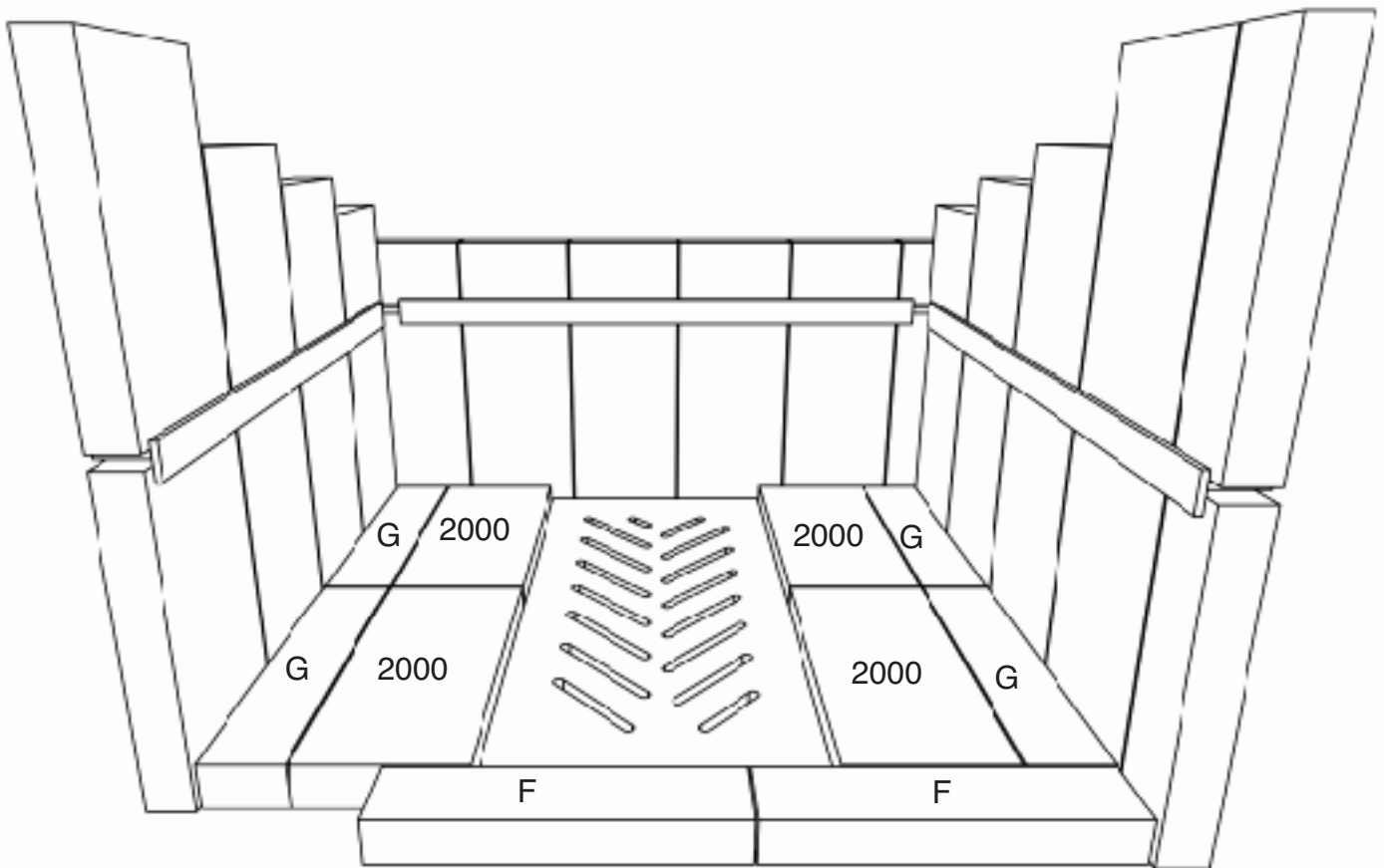
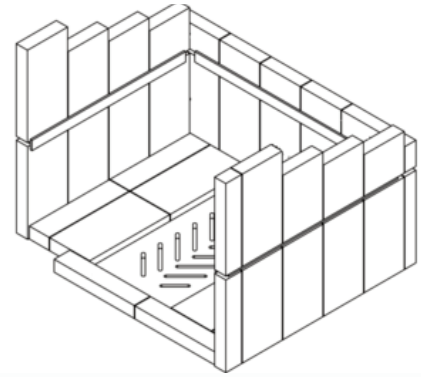
MODEL 210: IDEAL STEEL HYBRID
W-2000 FIREBRICK LINER and FIREBRICK BASE

W-2000 Firebrick 4.5"x9" (20)	W-2000.7 Firebrick 2.25"x 2.5" (1)
W-2000.2 Firebrick 4.5"x9" mitered (4)	W-2000.8 Firebrick 2"x4" (1)
W-2000.3 Firebrick 3.875"x 9" (1)	W-2000.9 Firebrick 4"x4" (2)
W-2000.4 Firebrick 1.375"x 9" (1)	W-2000.10 Firebrick 5.25"x4.5" (2)
W-2000.5 Firebrick 2.25"x 9" (1)	W-2000.11 Firebrick 6.25"x4.5" (2)
W-2000.6 Firebrick 2.25"x 4.5" (5)	



MODEL 210: IDEAL STEEL HYBRID
ASH PAN GRATE and W-2000 FIREBRICK BASE

PG-319 Ash Grate
W-2000 Firebrick Back 4.5" x 9" (4)
W-2000-F Firebrick 1.75" x 9" (2)
W-2000-G Firebrick 2.125" x 9" (4)



PARTS LIST

COMPLETE ASSEMBLIES AVAILABLE AS REPLACEMENT PARTS		
PG-14 LEG "H" WELDMENT		
IS-250 FENDER		
PG-17 TOP LID ASSEMBLY		
PG-11 DOOR ASSEMBLY		
PG-121 ASH LIP ASSEMBLY		
PG-19 SLED ASSEMBLY		
PG-22 BYPASS ROD ASSEMBLY		
IS-110 ANDIRON		
THE FOLLOWING PARTS ARE AVAILABLE FOR EACH ASSEMBLY		
FIREBOX		
PG-944-140109	STEEL: TERTIARY SEAL PLATE	1
PG-945-140113	HARDWARE: BIMETALLIC STRIP	1
PG-136-140113	STEEL: BIMETALLIC PLATE & STUD	1
PG-109	STEEL: AIR CONTROL HANDLE	1
PG-904	STEEL: AIR CONTROL LINK	1
PG-311-131009	STEEL: REAR TERTIARY COVER	1
PG-918	STEEL: RADIATOR	1
PG-134-131106	STEEL: FLUE COVER PLATE	1
PG-132	STEEL: FLUE COLLAR ASSEMBLY	1
PG-17 TOP LID ASSEMBLY		
PG-317-131106	STEEL: OVAL SPACER, HEAT SHLD	1
PG-923-131003	STAINLESS: HEAT SHIELD, UPR	1
PG-318-131202	STEEL: PENTAGON SPACER	2
PG-11 DOOR ASSEMBLY		
PG-206	STEEL: DOOR FRAME	1
PG-117-140717	STEEL: DOOR HANDLE	1
PG-303.1-131023	STEEL: DOOR GLASS RETAINER	1
PG-118-131107	STEEL: DOOR LATCH	1
PG-933-140113	GLASS: HIGH TEMP	2
PG-16 UPPER BAFFLE ASSEMBLY		
PG-217-131001	STEEL: GASKET RETAINER BOW	1
PG-218-131001	STEEL: STR GASKET RETAINER	1
PG-22 BYPASS ROD ASSEMBLY		
PG-112-130924	STEEL: BYPASS HANDLE	1
ACCESSORIES		
IS-260	SIDE SOAPSTONE	2
IS-120.cb	CENTER BURNER	1
IS-30	SIDE MEDALLION	2
IS-120.sb	SMALL BURNER	2
PG-16 ASH PAN ASSEMBLY		
UB-217, 080513	STEEL: HINGE PIN, ASH DOOR	1
PG-937-131030	STEEL: OUTER ASH DOOR	1
PG-924-131004	STEEL: SPCR, ASHPAN HANDLE	1
PG-124-130924	STEEL: ASH PAN HANDLE	1
PG-130-131029	STEEL: ASH PAN CATCH	1
PG-934-131106	STEEL: ASH PAN	1
PG-989	STEEL: ASH PAN LID	1

GASKET AND CATALYTIC COMBUSTOR SPECIFICATIONS

PART	SPECIFICATION
① Gasket For Top Lid	0.625" Rope
② Gasket For Sled Assembly/Bypass	Tadpole Gasket
③ Gasket for Catalyst to Sled	K250 x .625" Rope
④ Gasket for Load Door	0.750 Rope
⑤ Gasket for Ash Pan Door	0.500" Rope
⑥ Gasket for Top Lid Assembly	0.250" Rope (around cooktop spacer)
⑦ Gasket for Glass in Door	0.750" Graphite Tape
⑧ PG-K-535 Catalyst	5.25" x 10" x 2.625" Canned Dim. Durafoil or equivalent; 49 cells per square inch