

# 205 FIREVIEW PARTS LIST

## Cast Iron Parts

W-174 Fallaway Handle  
 W-3 Legs  
 W-80a Door Frame  
 W-1 Base  
 W-159 Front Panel  
 W-161 Flue Collar  
 W-162 Rear Frame  
 W-70 Top Frame  
 W-50 Top Support  
 W-60 Top  
 W-90a Door  
 W-91/92 Door Knob & Latch Kit  
 W-2 Corner  
 W-158 Glass Retainer  
 W-175 Spacer (pair)  
 W-176 Andirons  
 W-160 Combustor Pan  
 W-163 Air Duct Cover  
 W-164 Bypass Frame  
 W-167 Instruction Plate  
 W-170 Damper  
 W-177 Damper Handle  
 W-178 Bypass Lift Guide  
 W-253 Bypass Cover  
 W-172 Air Guide/Air Chute  
 W-168 Bypass Retainer (pair)

*All cast iron parts designed by Woodstock Soapstone Company*

## Other Parts

W-205E Glass 9.375"x13.5"x 5mm- Pyroceram III  
 W-2000 Firebrick 9"x4.5"x1.25"  
 W-2404 Black Phenolic Knob  
 8" Probe Thermometer  
 Surface Thermomometer

## Steel/Sheet Metal Parts

K-530-SS Stainless Steel Catalyst (5.25"x10"x2"x49 cpsi)  
 K-801 Stainless Steel Scoop Assembly  
     W-801 Scoop plate & screen  
     W-2601 Scoop Post w/ thru holes  
     W-2593 Cotter Pins  
 W-2591 Bypass Actuator Handle  
 W-181 Combustor Heat Deflector  
 W-169 Stainless Bypass Shaft  
 W-179 U Bolt  
 W-171 Damper Link  
 W-293 V-Pocket  
 W-306 Bottom Heat Shield  
 W-312 Window Clips  
 W-2513 Hinge Pins  
 W-2471 Tie Rods (4)

*All steel parts manufactured by Woodstock Soapstone Company*

## Soapstone Parts

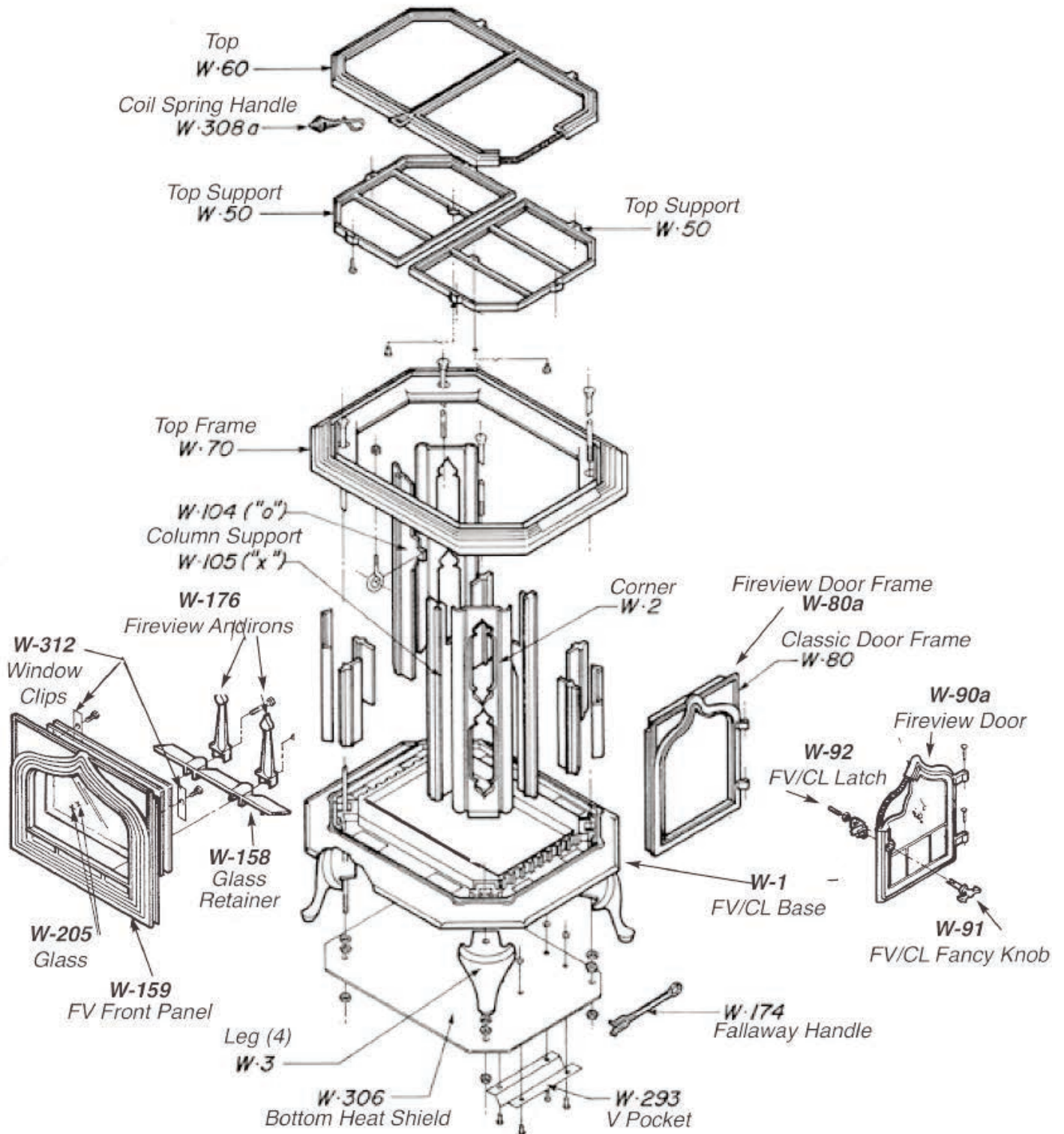
	# pcs
W-10 Exterior Left Side Stone	1
W-11a Exterior Top Stone	2
W-12a Exterior Over Glass	1
W-12b Exterior Under Front	1
W-13a Exterior Over Door	1
W-13b Exterior Under Door	1
W-14fv Exterior Back Stone	1
W-15 Exterior Corner Stone	4
W-17 Interior Side Stone	1
W-18fv Interior Back Stone	1
W-19 Interior Under Front Stone	1
W-20a Interior Over Door Stone	1
W-20b Interior Under Door Stone	1
W-21 Interior Corner Stone	8

*All soapstone parts cut and fabricated by Woodstock Soapstone Company*

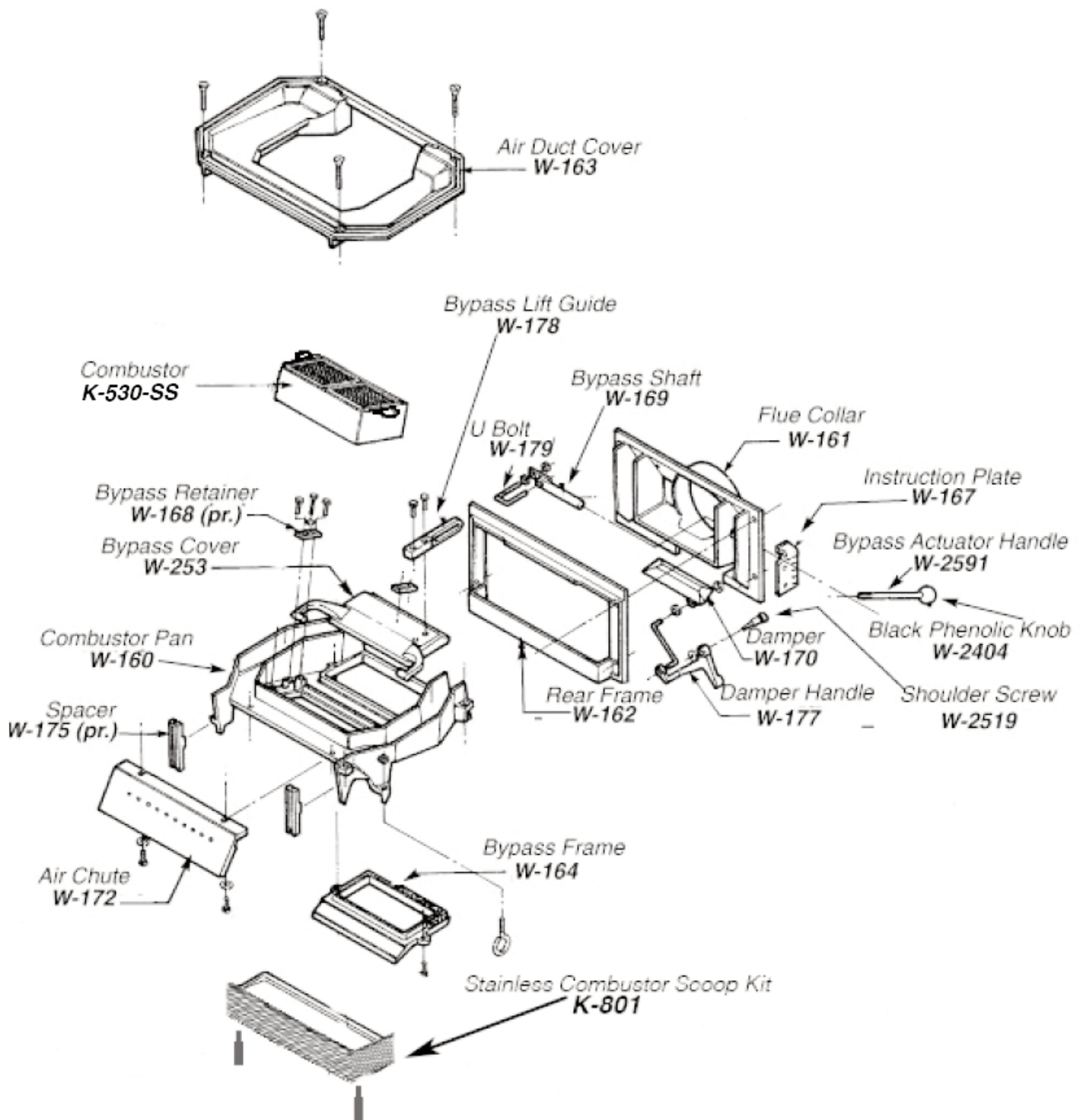
## Gasket List

<u>Part #</u>	<u>Desc.</u>	<u>Location</u>	<u>Density</u>	<u>Amount</u>
21063	.375" gasket	Loading Door	LD1	3 Feet
21066	.500" gasket	Bypass Frame	LD1	3 Feet
21085	.250" gasket	Under Combustor	LD2	3 Feet
21209	.75" flat adhesive	Window Gasket		11 Feet
21085	.250" gasket	Air Duct Cover Perimeter	LD2	7 Feet
21066	.500" gasket	Top Lid Gasket	LD1	7 Feet
21209	.75" flat adhesive (in half)	Air Duct Cover Sandwich		6 Feet
W-1800	Furnace Cement			1 Tube
W-1605a	Gasket Glue			.5 oz bottle

A Full Gasket Maintenance Kit (205-MK) is available and includes the above listed gaskets (except for the air duct sandwich), furnace cement, gasket glue, and steel wool.

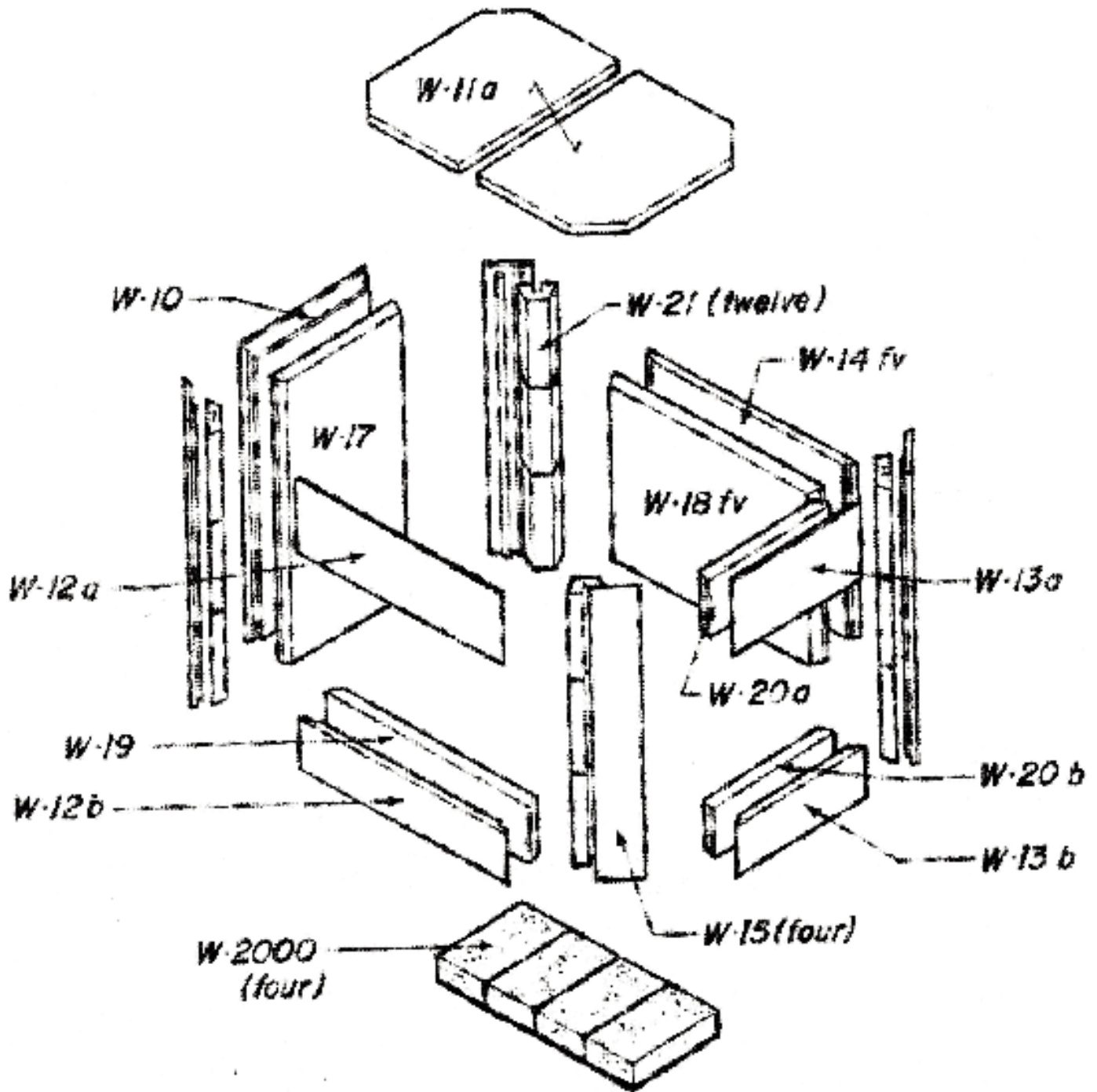


**Fireview/Classic External Parts**



*Fireview 205 Interior*

Fireview 205 Soapstone Parts and Firebrick





# DIMENSIONS & SPECIFICATIONS

H x W x D ..... 28" x 26" x 20"  
 Flue Exit..... Back Only  
 Flue Size..... 6"  
 Flue Height to Center (Back Vent)..... 22.75"  
 Weight..... 485 lbs.  
 Loading Door..... Right Side Standard  
 Loading Door Size (HxW)..... 10.5"x8.25"  
 Wood Length (Recommended)..... 16"  
 Firebox (H/W/D in inches) ..... 13"x12.5"x20"  
 Firebox Size..... 1.85 Cubic ft.  
 Burn Time..... 10-12 hrs.  
 Heat Output Range..... 7,606 - 46,460 BTU/hr  
 Area Heated..... 900-1,600 sq. ft.  
 EPA Certified (Meets 2020 standards)..... Yes  
 Listed to UL 1482..... Yes  
 EPA Emissions Rating..... 1.12 grams/hr

EPA Efficiency (HHV)..... 83.6%  
 EPA Efficiency (HHV)..... 77.7%  
 Catalytic Combustor ..... Standard  
 Ash Pan..... N/A  
 Back Clearance (no protection)..... 30"  
 Back Clearance (w/Heat Shield Kit) ..... 18"  
 Side Clearance..... 18"  
 Mobile Home Approved..... Yes

