

 SAFETY ALERT INDEX

- **DANGER!** INDICATES A HAZARDOUS SITUATION WHICH, IF NOT AVOIDED **WILL** RESULT IN DEATH OR SERIOUS INJURY.
- **WARNING!** INDICATES A HAZARDOUS SITUATION WHICH, IF NOT AVOIDED **COULD** RESULT IN DEATH OR SERIOUS INJURY.
- **CAUTION!** INDICATES A HAZARDOUS SITUATION WHICH, IF NOT AVOIDED, COULD RESULT IN MINOR OR MODERATE INJURY.
- **NOTICE:** USED TO ADDRESS PRACTICES NOT RELATED TO PERSONAL INJURY.

TO THE INSTALLING TECHNICIAN:

First, thank you from all of us at Woodstock Soapstone Co. for installing this Franklin Fireplace for one of our customers. If you have any questions about installation, please call us at 800-866-4344. Technical Support will be available from 9:00AM to 5:00PM Eastern Time, Monday through Saturday. At any other time, you may leave a message with our answering service with your phone number and the best time to call, and we will return your call during the next business day.

Please also take the time to go through the Warranty Checklist with the owner. This will validate the warranty, assure us and the owner that the installation was performed to local and national codes, and help familiarize the owner with the safe operation of this gas Fireplace.

Installation must conform to these instructions and local codes or, in the absence of local codes, with the current National Fuel Gas Code ANSI Z223.1.

We at Woodstock Soapstone Company are proud to manufacture top quality hearth products. When you install this Fireplace, we ask that you maintain our tradition of conscientious effort to make our customers happy with our product and service.

QUESTIONS:

800-866-4344

9:00 AM to 5:00 PM

Eastern Time

WARNING: This unit must be installed by a qualified gas technician in accordance with local codes or in the absence of local codes, with the most current edition of the National Fuel Gas Code ANSI Z223.1/NFPA 54.

TABLE OF CONTENTS

Section	Page	Section	Page
1) Code Approvals.....	2	13) Troubleshooting - Installer only.....	16
2) Specifications	2	14) Operating your Gas Fireplace.....	17
3) Tools Needed to Install the Fireplace.....	3	15) Lighting Instructions	18
4) Approved Venting/Chimney Materials	3	16) Safety Instructions	21
5) Approved Clearances for Inside Locations.....	4	17) Remote Control	22
6) Approved Venting/Chimney Configurations	6	18) Lighting the Fire for Remote Control Owners.....	24
7) Approved Venting/Chimney Terminal Clearances .10		19) Routine Maintenance	25
8) Assembling the Mini Franklin Gas Fireplace.....	11	20) Annual Inspection	27
9) Pre-Installation Inspection Checklist	12	21) Troubleshooting - Owner	28
10) Connecting the Gas Supply/Testing the Flame.....	12	22) Warranty	30
11) Air Shutter Adjustment / Screen Barrier.....	13-14	Appendix A - Parts List.....	31
12) Testing Check List and Warranty Registration..... (insert)		Appendix B - Remote Control Installation	33

1. CODE APPROVALS • Direct Vent • Natural Gas • LPG

The Woodstock Mini Franklin Gas Stove is listed as a direct vent appliance. This type of appliance draws all of its air for combustion from outside of the dwelling through specially designed pipe. It can be used with natural gas or LPG (liquid propane gas).

Approved to: American National Standard Z21.88-2017

2. SPECIFICATIONS

For The Woodstock Mini Franklin Gas Stove:

FuelLiquefied Petroleum Gas (LPG)
Natural Gas (NG)

Manifold Pressure, LPG10.5" w.c.
 Manifold Pressure, NG3.5" w.c.

Minimum inlet supply pressure for input adjustment LPG11.0" w.c.

Minimum inlet supply pressure for input adjustment NG4.0" w.c.

Maximum inlet supply pressure LPG14.0" w.c.

Maximum inlet supply pressure NG14.0" w.c.

Input, Btu/Hr LPG Max.8,349
 (0 – 2,000 ft.) Min.6,677
 NG Max.10,201
 Min.7,349

Output, Btu/Hr LPG Max.5,458
 Min.4,435
 NG Max.6,648
 Min.4,654

Orifice size, LPG
 Sea level to 3000'#66 (0.0330)
 3001' to 6000'#68 (0.0310)
 6001' to 9000'#70 (0.0280)

Orifice size: NG
 Sea level to 2000'#53 (0.0595)
 2001' to 5000'#54 (0.0550)
 5001' to 9000'#55 (0.0520)

AFUE: (Annual Fuel Utilization Efficiency)LPG(77% minimum)

AFUE: (Annual Fuel Utilization Efficiency)NG(72% minimum)

Glass PanelHigh temperature ceramic glass

Weight, Fireplace only75 lbs.
 shipping88 lbs.

IgnitionStanding pilot with Piezo ignition

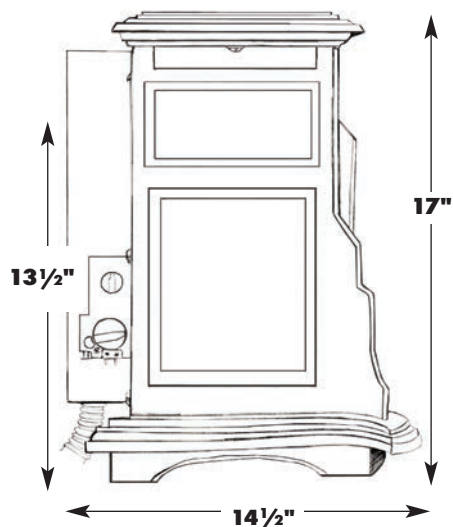


Illustration 2.1 Side View.

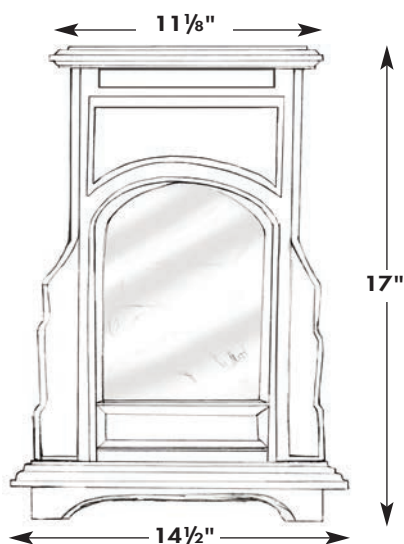


Illustration 2.2 Front View.

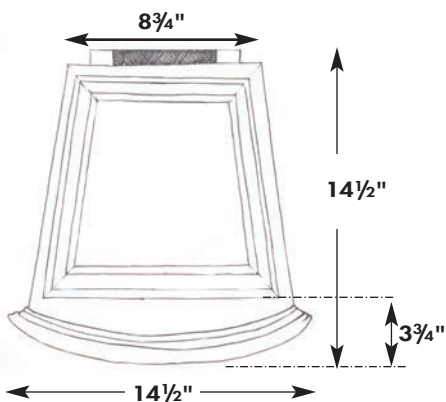


Illustration 2.3 Top View.

Hearth: The hearth immediately under the Stove should be constructed of non-combustible material - ceramic tile (not vinyl), stone, or metal. Protect wood, carpet or any combustible surface with a hearth that covers an area equal to the full width and depth of the Stove (14½" x 14½") or greater. A hearth pad of size 16 x 16 inch is recommended

Clearance to combustible materials

Front of Firebox	20"
Sides of Stove	2"
Rear of Stove	2"
Rear Corners of Stove	1.5"
Rear of 90 Degree Elbow	3"

3. TOOLS NEEDED TO INSTALL THE FIREPLACE

- Multi-meter (millivolt)
- Strap Wrench for Pipe Installation
- Manometer
- Gas Sniffer
- Phillips Screwdriver
- Glass Cleaner and Towels
- Flashlight
- Drill/Driver to install screws in first section of vent pipe
- 5/32" Allen Wrench*

* To install and adjust leveling screws in stove base

4. APPROVED VENTING/CHIMNEY MATERIALS

The venting/chimney system for your Mini Franklin Gas Stove must be constructed of Simpson Dura-Vent 3" x 4½" direct vent gas pipe. Direct vent pipe brings fresh air into the stove and vents exhaust gasses at the same time (see illustration 4.1). The Mini Franklin Gas Stove must be installed with this pipe to conform to safety requirements. The Mini Franklin Gas Stove may not be connected to a flue serving any other appliance.

Approved venting materials are available only from Woodstock Soapstone Company. No other manufacturer makes a residential gas stove of this size, so the pipe is unique to the Mini Franklin Gas Stove. Approved components are listed below.

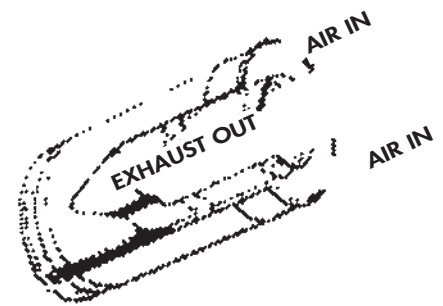


Illustration 4.1 *Direct-vent pipe sends exhaust out and brings air in at the same time.*

Description	Dura-Vent No.
<i>Standard Direct Vent Kit consists of:</i>	
1 4½" x 9" Straight Pipe	34GSS-09
1 4½" Wall Thimble	34GSS-3143I
1 4½" Wall Thimble Cover	34GSS-3143O
1 4½" Snorkel Termination	34GSS-SNK30
 <i>Other Available Pipe:</i>	
4½" x 6" Straight Pipe	34GSS-06B
4½" x 9" Straight Pipe	34GSS-09B
4½" x 12" Straight Pipe	34GSS-12B

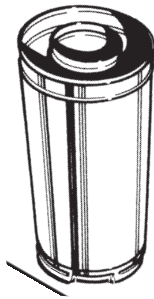


Illustration 4.2 All approved Simpson Dura-Vent Pipe has an inside passage to vent exhaust gasses, and an outside passage used to bring in fresh air for combustion.

4 ⁵ / ₈ " x 24" Straight Pipe	34GSS-24B
4 ⁵ / ₈ " x 36" Straight Pipe	34GSS-36B
4 ⁵ / ₈ " x 48" Straight Pipe	34GSS-48B
4 ⁵ / ₈ " x 11" - 14-5/8" Adjustable Pipe	34GSS-1114B
4 ⁵ / ₈ " x 17 - 24" Adjustable Pipe	34GSS-1724B
4 ⁵ / ₈ " x 45 Degree Elbow (Swivel)	34GSS-S45B
6 ⁵ / ₈ " x 90 Degree Elbow (Swivel)	34GSS-S45B
Horizontal Termination Cap	34GSS-HZC
Snorkel Termination Cap	
30" Rise	34GSS-SNK30
Vinyl Siding Standoff	34GSS-VSS
Support Box	34GSS-SB
Storm Collar	34GSS-SC
Adj Roof Flashing (0/12-6/12 pitch)	34GSS-06ARF
Adj Roof Flashing (7/12-12/12 steep pitch)	34GSS-712ARF
Vertical Termination Cap	34GSS-VTC

5. APPROVED CLEARANCES FOR INSIDE LOCATIONS

WARNING! Due to high temperatures, the Mini Franklin Gas Stove should be placed out of traffic and away from furniture, draperies and other combustibles.

The Mini Franklin Gas Stove is approved for venting in three configurations:

- (1) Up vertically and then elbow through an outside wall with a maximum vertical rise of 6 feet and maximum horizontal run of 3 feet. The ratio of rise to run must be a minimum of 2:1. Minimum specifications are 36 inch rise and 6 inch run.
- (2) Straight out the back through an outside wall and into a 30" vertical snorkel termination cap (maximum 2' horizontal run, with 1/4" rise per foot of run; a rear vent may include a 45 degree elbow for corner installation).
- (3) Straight up, with a maximum of a 10 foot rise above the flue outlet.

NOTE: Details for these three configurations start on page 5. No two installations are exactly alike. If you have any questions please call a customer service representative for assistance at 1-800-866-4344.

CLEARANCES TO COMBUSTIBLE MATERIALS

Front of Firebox	20"
Sides of Stove	2"
Rear of Fireplace	2"
Rear Corners	1.5"
Rear of 90 Degree Elbow ..	3"

WARNING: This unit must be installed by a qualified gas technician in accordance with local codes or in the absence of local codes, with the most current edition of the National Fuel Gas Code ANSI Z223.1/NFPA 54.

The surface of the Mini Franklin Gas Stove is hot when the appliance is in use. A safe installation requires that there be adequate clearances between the Mini Franklin Gas Stove and nearby combustible materials, so that combustible materials are not overheated. The diagrams that follow show minimum clearances between the Mini Franklin and nearby combustible materials.

Clearances for vent terminal locations are indicated in the diagram and chart on page 10.

Refer to the manufacturer's instructions regarding installation of your venting system through walls or ceilings. Use only Simpson Dura-Vent GS Direct-Vent Flue Systems.

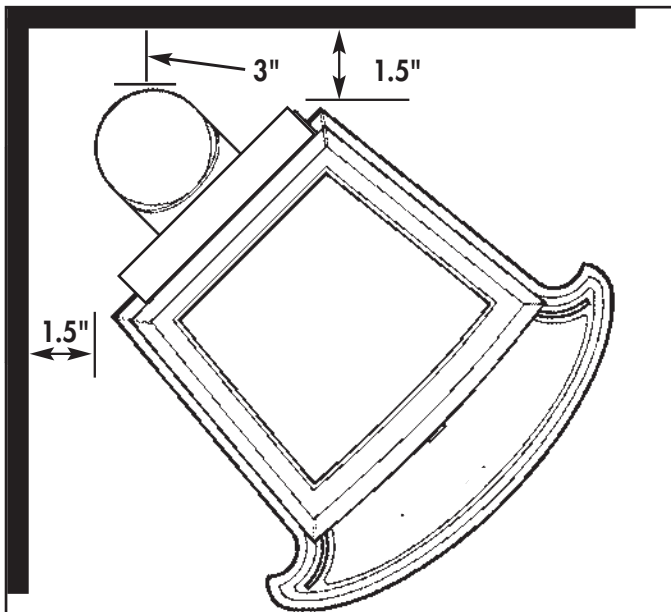


Illustration 5.1 *Minimum Clearances: Corner Installation*

A Corner Installation

Minimum Clearances

- Min. Clearance from corners to both side walls1.5"
- Pipe to wall (Vertical Vent).....3"

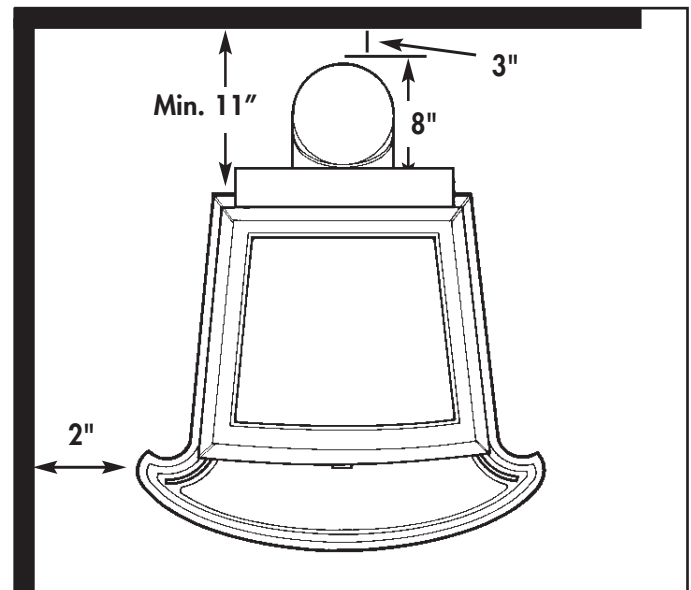


Illustration 5.2 *Minimum Clearances: Parallel Installation*

B Parallel Installation

Minimum Clearances

- Min. Clearance from back of pipe to wall.....3"
- Min. Clearance from Fireplace to side wall (Vertical vent).....2"
- Min. clearance from back of stove to wall (Straight vent).....11"

6. APPROVED VENTING/CHIMNEY CONFIGURATIONS

A. Side Wall Venting

In this venting configuration, the pipe rises directly from the back of the Stove. The exhaust travels up, through two elbows, and out through a side wall. See illustration at left.

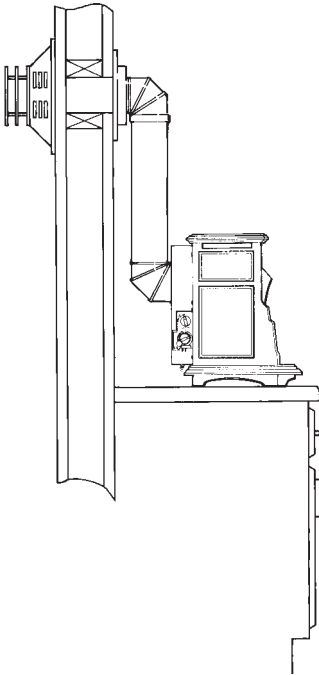


Illustration 6.1
Side wall venting configuration.



**ALL VENT CLEARANCES MUST BE MAINTAINED.
CHECK YOUR VENT CLEARANCES AGAINST THE
ILLUSTRATIONS ON PAGE 10.**

MINIMUM AND MAXIMUM DISTANCES

- Maximum rise6 feet
- Maximum recommended run3 feet
- Maximum number of 90 deg elbows.....2
(one attached to flue outlet; one to go out through wall)

Note 1. The ratio of rise to run should be a minimum of 2:1

- Wall Opening:
 - Masonry wall.....7" opening
 - Non-masonry wall.....framed to 10" x 10"

Refer to Simpson Dura-Vent instructions regarding installation of your Direct-Vent System.

Please note the following considerations for the location of the vent terminal:

1. The horizontal run must rise a minimum of 1/4" per foot of run toward the vent termination.
2. The termination must not be recessed into the exterior wall or siding.
3. Clearances must be maintained around the vent termination. See illustrations on page 10.
4. Vinyl Siding requires protection from vented heat above the termination. Use Simpson Dura-vent Vinyl Siding Heat Shield Kit, part 34GSS-VSS.

B. Side Wall Venting (straight back through wall into snorkel)

In this venting configuration, the pipe runs directly out the back of the Stove, through an outside wall and then up with a snorkel termination cap. See illustration at lower right.



**ALL VENT CLEARANCES MUST BE MAINTAINED.
CHECK YOUR VENT CLEARANCES AGAINST THE
ILLUSTRATIONS ON PAGE 10.**

The venting should be located so that people cannot be burned by accidentally touching hot vent surfaces while the Stove is in operation.

The vent termination must be placed so that it cannot be damaged by automobile doors, lawn mowers or yard equipment, or falling ice and snow.

MINIMUM AND MAXIMUM DISTANCES

- Maximum run24 inches
Note: Use of a 45 deg. elbow to install in a corner location is allowed
- Minimum Distance between the inside wall and the back of Fireplace2"
- Wall Opening:
Masonry wall7" opening
Non-masonry wallframed to 10" x 10"

Refer to the Simpson Dura-Vent instructions regarding installation of your Direct-Vent system.

Please note the following considerations for the location of the vent terminal:

1. The horizontal run must rise a minimum of 1/4" per foot of run toward the vent termination.
2. Clearances must be maintained around the vent termination. See illustrations on page 12.
3. The termination must not be recessed into the the exterior wall or siding.
4. Vinyl Siding requires protection from vented heat above the termination. Use Simpson Dura-vent Vinyl Siding Heat Shield Kit, part #950.

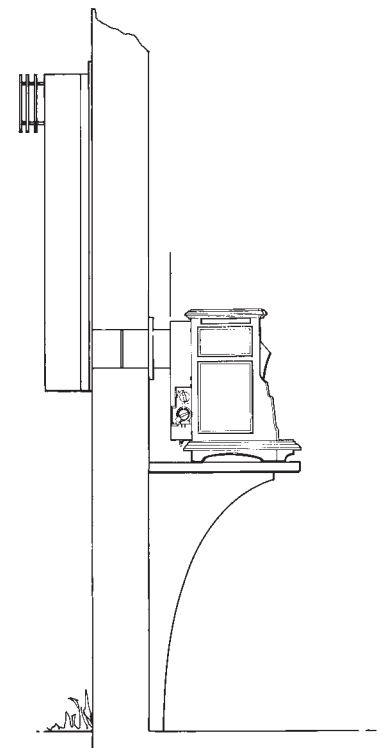
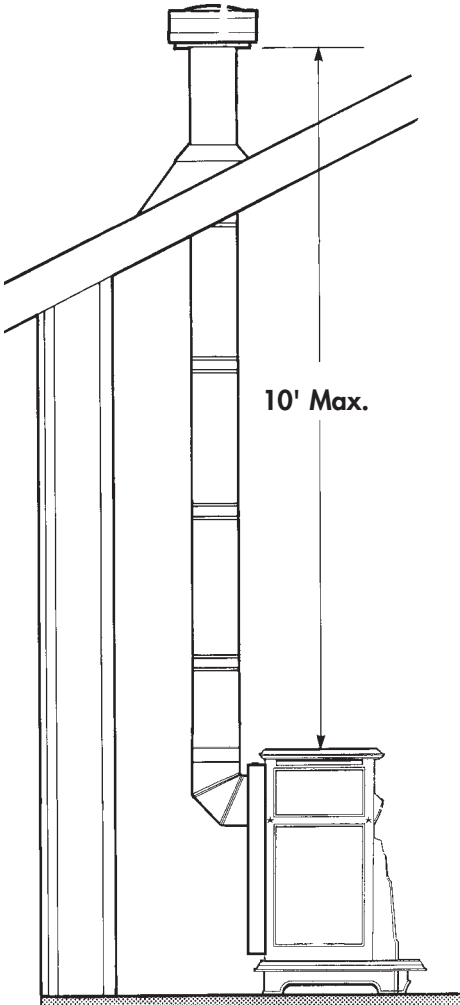


Illustration 6.2

If stove is vented straight back, Snorkel attachment is required.



C. Vertical Venting (straight up through roof)

In this venting configuration, the pipe rises directly from Stove and goes up through the roof, terminating above the roof. See illustration 6.3.

MINIMUM AND MAXIMUM DISTANCES

- Maximum vertical rise10'

Height of termination above roof must conform to chart below

Roof Pitch	A Minimum height from roof to lowest discharge opening
Flat to 6/12	1.0 feet
6/12 to 8/12	2.0 feet
8/12 to 10/12	3.0 feet
10/12 to 12/12	4.0 feet

*Max rise is 10'. No additional elbows are allowed.

Illustration 6.3
Vertical venting configuration.
(Max height 10')

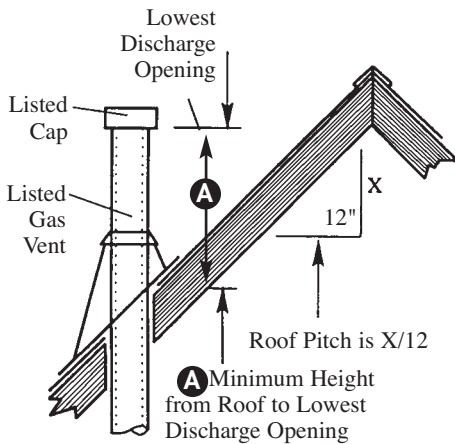



Illustration 6.4


**ALL VENT CLEARANCES MUST BE MAINTAINED.
CHECK YOUR VENT CLEARANCES AGAINST THE
ILLUSTRATIONS AT LEFT, AND PAGE 10.**

MANUFACTURED HOUSING INSTALLATION

The Mini Franklin Gas Stove may be installed in Manufactured Housing with the following supplemental requirements:

- (1) The appliance must be securely bolted to the floor or wall mount with steel straps secured to the leg bolts and to the floor with minimum 1/4" lag bolts. Contact Woodstock Soapstone Company for steel straps.
- (2) The appliance must be grounded to the manufactured home trailer frame with a No. 8 (minimum) solid conductor.

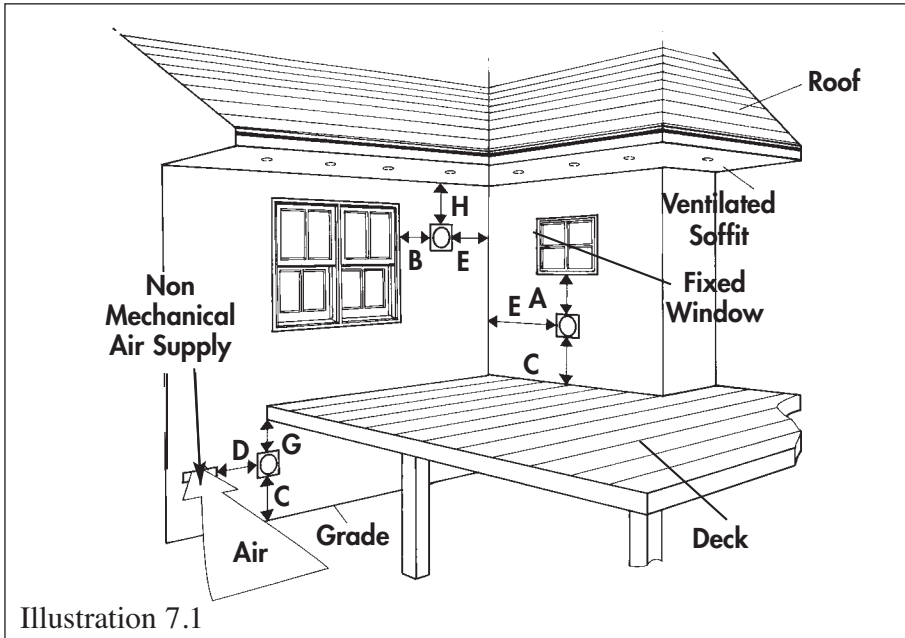
The Mini Franklin Gas Stove is currently approved only for venting with the components listed previously on pages 3 and 4. Install the vent system according to the manufacturer's instructions, which are included with the components.



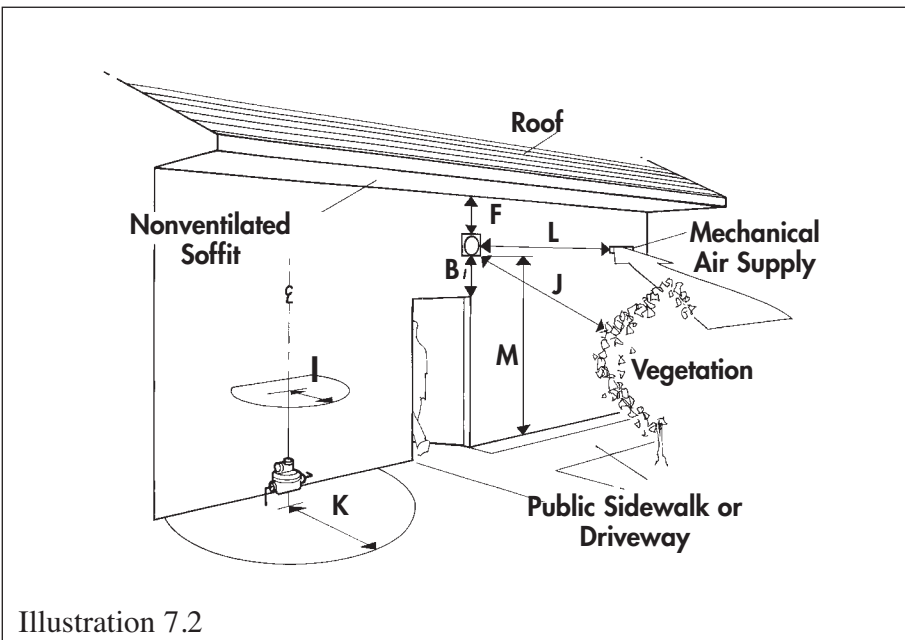
WARNING! This unit must be installed by a qualified gas technician in accordance with local codes or in the absence of local codes, with the most current edition of the National Fuel Gas Code ANSI Z223.1/NFPA 54.

Note: A manufactured home (USA only) or mobile home OEM installation must conform with the Manufactured Home Construction and Safety Standard, Title 24 CFR, Part 3280, or, when such a standard is not applicable, the Standard for Manufactured Home Installations, ANSI/NCSBCS A225.1, or Standard for Gas Equipped Recreational Vehicles and Mobile Housing, CSA Z240.4

7. APPROVED VENTING/CHIMNEY TERMINAL CLEARANCES



- A. Clearance to a permanently closed window12"
- B. Clearance to a window or door that may be opened12"
- C. Clearance above grade. Also, clearance over deck, porch, veranda or balcony12"
- D. Clearance to non-mechanical air supply inlet or combustion air inlet of any other appliance12"
- E. Clearance to inside corner or adjacent wall.....12"
- F. Clearance to a non-ventilated soffit12"
- G. Clearance below deck, porch, veranda, or balcony if completely open on two sides18"
- H. Clearance to ventilated soffit located above the terminal within a horizontal distance of 2 feet from the center of the terminal.....18"
- I. Clearance around a center line above service regulator .3 feet
- J. Clearance to vegetation..3 feet
- K. Clearance around a service regulator vent outlet6 feet
- L. Clearance to a mechanical air supply6 feet
- M. Clearance above a paved sidewalk or driveway on public property. May not terminate above a sidewalk or driveway which is between two single family dwellings and serves both dwellings7 feet



8. ASSEMBLING THE FIREPLACE

1. INSTALLING THE LOGSET

Your Mini Franklin Gas Stove has been carefully assembled by our craftsmen. Because of the fragile nature of the ceramic logset it is packaged separately to ensure safe shipping, and requires minor assembly. Please use to the following instructions to ensure proper placement of the logset.

Remove the front casting by lifting straight up under the lip that extends over the glass panel.

The glass panel is held in place with two screws at the top and a rail at the bottom. Remove the two screws, and then remove the front glass panel and frame.

The burner pan is installed in the bottom of the firebox and is secured in place to ensure safe shipping. The logs should be placed on the burner using the locating pins in the burner to secure them to the burner.

2. REPLACE GLASS FRONT/FRONT CASTING

Once the tile and logset have been assembled the glass panel may be reinstalled. Be sure the bottom edge of panel fits snugly into bottom rail and clips are fastened securely. Replace the front casting.

3. INSTALLING OPTIONAL EQUIPMENT:

Installing optional remote control:

The Mini Franklin Gas stove may be equipped with an optional remote control. The remote has several functions. It can turn the burner on or off, regulate flame height or act as a timer/thermostat. The remote control system includes the remote transmitter, the remote receiver, and connecting wires.

If a remote control is added, the receiver must be wired to the gas controller. See complete instructions in Appendix B on page 33. Refer also to instructions for operation packaged with the remote control system.

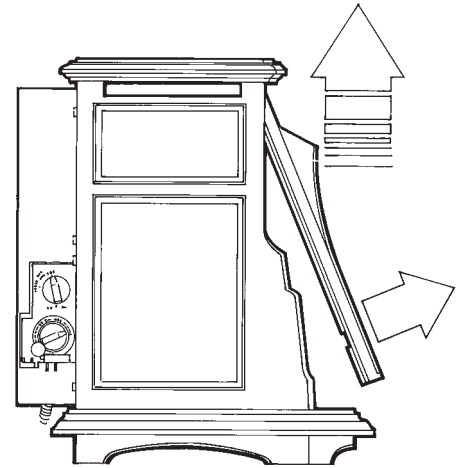
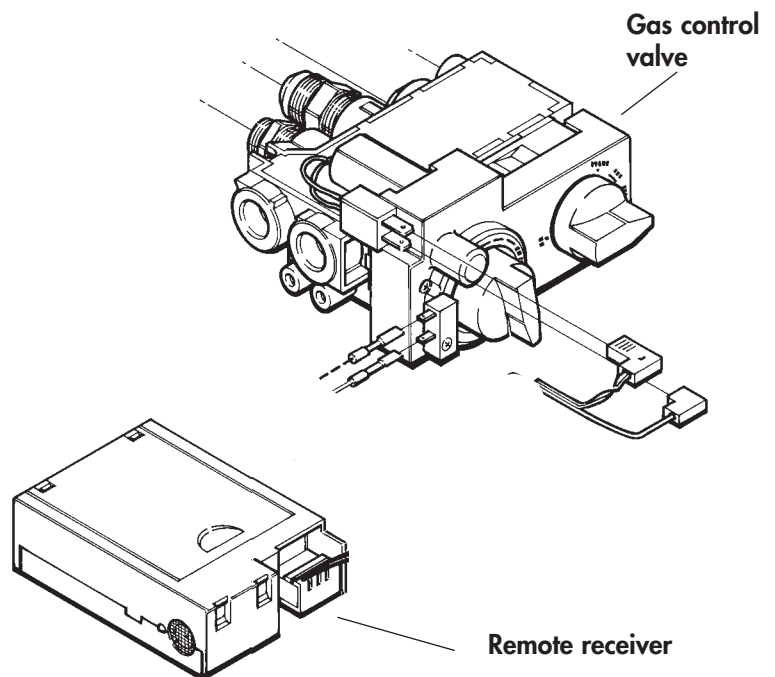


Illustration 8.1 To remove the front casting, lift straight up under the lip that extends over the top of the glass.



9. PRE-INSTALLATION INSPECTION CHECKLIST FOR INSTALLER

1. Check that both intake and exhaust venting are clear of any debris or other obstruction at the back of the Stove.
2. Check that the gas manifold is connected to both the controller and the orifice at the back wall of the Stove and is free from damage.
3. Check that the pilot gas tube, and thermocouple are properly connected to both the pilot assembly and gas controller.
4. Check that the piezo wire is connected to the pilot assembly.
Push in and turn right gas control knob counterclockwise to test for spark in the Firebox near the pilot.

10. CONNECTING THE GAS SUPPLY/ TESTING THE FLAME

1. CHECK THE GAS LINE PRESSURE BEFORE CONNECTING THE STOVE TO THE GAS LINE

The stove and its main gas valve must be disconnected from the gas supply piping system during any pressure testing of that system at test pressures in excess of 1/2 psia (3.5kPa). If the gas line pressure is too high it will rupture the gas control valve on the Stove.

Isolate the stove from the gas supply piping system by closing the shut-off valve during any pressure testing of the gas supply piping system at test pressures in excess of 1/2 psia (3.5kPa).

2. ATTACH GAS LINE TO THE CONTROL VALVE

The gas supply line is connected to the Stove gas control valve through a 1/2" flexible connector pre-attached to the valve using a 3/8" male NPT fitting. The gas supply line for either propane (LPG) or natural gas (NG) should be large enough to support (25,000 Btu) and should be connected with a male 1/2" 45 degree flare fitting. Consult local building codes to properly size the gas supply line.

3. TEST FOR LEAKS

Test for leaks using a sniffer, soapy water or an approved leak testing spray. Check each joint or connection from the main supply valve to the Stove. Check the connections on the control valve as well as those in the Stove in case one loosened in shipment. **Again, never test with an open flame.**

4. TEST PRESSURE THROUGH CONTROL VALVE

Test pressure to and through the control valve using a manometer on the test gauge taps on the control valve. The line must be tested as follows:

- Propane (LPG or LP):
10.5" w.c. manifold pressure

11.0" w.c. minimum inlet supply for adjustment

Natural gas:

3.5" w.c. manifold pressure

4.0" w.c. minimum inlet supply for adjustment

5. LIGHT THE STOVE, FOLLOWING LIGHTING DIRECTIONS ON PAGE 21. (FRONT GLASS AND FRONT CASTING MUST BE IN PLACE PRIOR TO LIGHTING)

6. The Air Shutter covers the end of the venturi opening at the base of the Burner Pan and controls the air/fuel mixture. The Shutter has been pre-set to provide an optimum yellow flame at sea level when the Logset is warmed up.

If you are operating a Natural Gas Stove at an elevation other than sea level, it may be necessary to adjust the position of the air shutter. Wait fifteen minutes after first lighting the Burner to see if the flame changes from mostly blue to bright yellow. If it remains blue than there is too much air getting into the mix. If the flame turns orange or smoky then there is too little air getting into the mix.

Note: Allow Stove to cool before handling.



WARNING: This unit must be installed by a qualified gas technician in accordance with local codes or in the absence of local codes, with the most current edition of the National Fuel Gas Code ANSI Z223.1/NFPA 54.

11. AIR SHUTTER ADJUSTMENT

To adjust the amount of air, remove front casting, glass panel and logset assembly.

Carefully lift the burner pan up and out of the firebox, avoid damaging the orifice at the rear. The air shutter is located at the end of the venturi tube attached to the bottom of the burner pan.

Adjust the shutter by loosening the attachment screw which holds it to the venturi tube. Slidet the shutter open to allow more air into the venturi or closed to restrict the amount of air. Tighten screw.

Replace the burner pan by inserting the venturi under the back edge of the firebox and pushing it carefully over the orifice. Note: When the burner pan is properly located it will sit squarely in the firebox with equal space approximately 1/4" between the pan and the sides of the firebox.

The Screen Barrier for the Glass Front

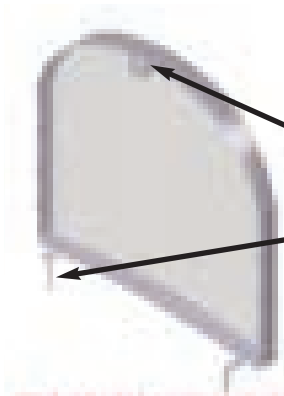
A screen barrier has been installed on the front of your Mini Franklin Gas Stove to reduce the risk of burn from the hot viewing glass. It has been installed at the factory for the protection of children and other at-risk individuals. It should not be removed.

If the screen barrier becomes damaged, it shall be replaced with the barrier made by Woodstock Soapstone Company for the Mini Franklin Gas Stove. The screen barrier is attached to the front casting, and should not be removed even to service the stove.

Installation and repair should be done by a qualified service person. The stove should be inspected before use and at least annually by a professional service person. More frequent cleaning might be required due to excessive lint from carpeting, bedding material, and so on. It is imperative that control compartments, burners and circulating air passageways be kept clean.

Note: clothing or other flammable material should not be placed on or near the appliance. Do not attempt to dry mittens or gloves by placing them on the stove.

The screen barrier is pictured below.



The screen barrier is held permanently in place with two clips at the bottom and one at the top.