

TO THE INSTALLING TECHNICIAN:

First, thank you from all of us at Woodstock Soapstone Co. for installing this Franklin Fireplace for one of our customers. If you have any questions about installation, please call us at 800-866-4344. Technical Support will be available from 9:00AM to 5:00PM Eastern Time, Monday through Saturday. At any other time, you may leave a message with our answering service with your phone number and the best time to call, and we will return your call during the next business day.

Please also take the time to go through the Warranty Checklist with the owner. This will validate the warranty, assure us and the owner that the installation was performed to local and national codes, and help familiarize the owner with the safe operation of this gas Fireplace.

Installation must conform to these instructions and local codes or, in the absence of local codes, with the current National Fuel Gas Code ANSI Z233.1/NFPA 54.

We at Woodstock Soapstone Company are proud to manufacture top quality hearth products. When you install this Fireplace, we ask that you maintain our tradition of conscientious effort to make our customers happy with our product and service.

Sincerely,

The Technical Support Staff
Woodstock Soapstone Co., Inc.

QUESTIONS:

800-866-4344

9:00 AM to 5:00 PM

Eastern Time

Monday – Saturday

WARNING: This unit must be installed by a qualified gas technician in accordance with local codes or in the absence of local codes, with the most current edition of the National Fuel Gas Code ANSI Z223.1/NFPA 54.

TABLE OF CONTENTS

Section	Page	Section	Page
1) Code Approvals.....	2	13) Troubleshooting - Installer only.....	19
2) Specifications	2	14) Operating your Gas Fireplace.....	20
3) Tools Needed to Install the Fireplace.....	3	15) Lighting Instructions	21
4) Approved Venting/Chimney Materials	3	16) Safety Instructions	24
5) Approved Clearances for Inside Locations.....	4	17) Remote Control	25
6) Approved Venting/Chimney Configurations	6	18) Lighting the Fire for Remote Control Owners.....	27
7) Approved Venting/Chimney Terminal Clearances .	12	19) Routine Maintenance	28
8) Unpacking the Cottage Franklin Gas Fireplace.....	13	20) Annual Inspection	30
9) Pre-Installation Inspection Checklist	13	21) Troubleshooting - Owner	31
10) Assembling the Cottage Franklin Gas Fireplace	14	22) Warranty	33
11) Connecting the Gas Supply/Testing the Flame.....	15	Appendix A - Parts List.....	35
12) Testing Check List and Warranty Registration	18	Appendix B - Remote Control Installation	36

NOTE: Diagrams include optional 90° elbow.

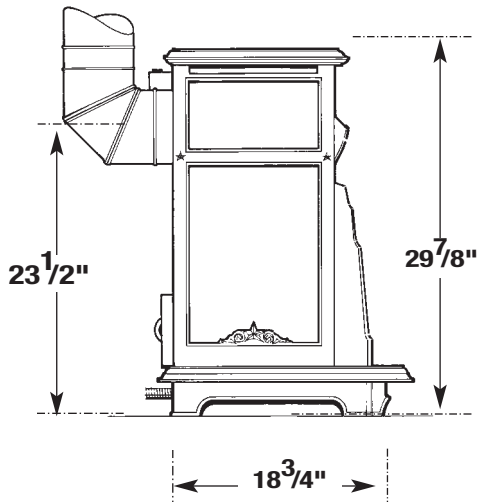


Illustration 2.1 Side View.

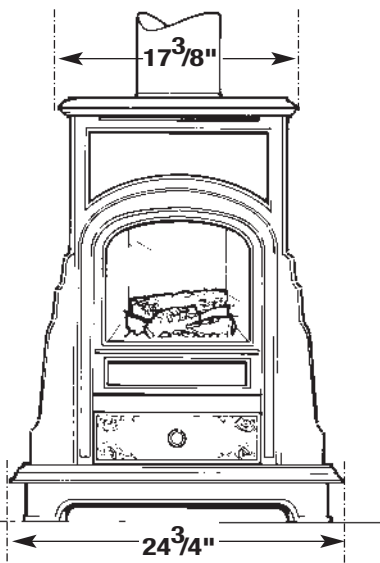


Illustration 2.2 Front View.

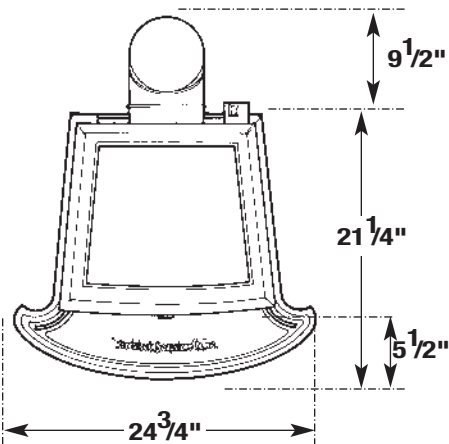


Illustration 2.3 Top View.

1. CODE APPROVALS • Direct Vent • Natural Gas • LPG

The Woodstock Cottage Franklin Gas Stove is listed as a direct vent appliance. This type of appliance draws all of its air for combustion from outside of the dwelling through specially designed pipe. It can be used with natural gas or LPG (liquid propane gas).

Tested to: American National Standard ANSI Z21.88b-2001

2. SPECIFICATIONS

For The Woodstock Cottage Franklin Gas Stove:

FuelLiquefied Petroleum Gas (LPG)
Natural Gas (NG)

Manifold Pressure, LPG10.5" w.c.
 Manifold Pressure, NG3.5" w.c.

Minimum inlet supply pressure for input
 adjustment LPG11.0" w.c.

Minimum inlet supply pressure for input
 adjustment NG4.0" w.c.

Maximum inlet supply pressure LPG14.0" w.c.

Maximum inlet supply pressure NG14.0" w.c.

Input, Btu/Hr LPG Max.22,988
 (0 – 2,000 ft.) Min.18,297
 NG Max.22,552
 Min.18,691

Output, Btu/Hr LPG Max.17,562
 Min.13,906
 NG Max.16,515
 Min.13,644

Orifice size, LPG
 Sea level to 5000'#54
 5001' or more#55

Orifice size: NG
 Sea level to 5000'#43
 5001' to 7000'#44
 7001' or more#45

AFUE: (Annual Fuel Utilization Efficiency)LPG(76% minimum)

AFUE: (Annual Fuel Utilization Efficiency)NG(73% minimum)

Glass PanelHigh temperature ceramic glass

Weight, Fireplace only260 lbs.
 shipping350 lbs.

IgnitionStanding pilot with Piezo ignition

Hearth: The hearth immediately under the Stove should be constructed of non-combustible material - ceramic tile (not vinyl), stone, or metal. Protect carpet or any combustible surface with a hearth that covers an area equal to the full width and depth of the Stove (24³/₄" x 21¹/₄") or greater.

A hearth pad of size 36x36 inch is recommended

Clearance to combustible materials

Front of Firebox	36"
Sides of Stove.....	8"
Rear of Stove	11"
Rear Corners of Stove	4.5"
Rear of 90 Degree Elbow	2"

3. TOOLS NEEDED TO INSTALL THE FIREPLACE

- Multi-meter (millivolt)
- Strap Wrench for Pipe Installation
- Manometer
- Gas Sniffer
- Window Clip Tool
- 7/16" Socket or Wrench
- Glass Cleaner and Towels
- Flashlight
- Drill/Driver to install screws in first section of vent pipe
- 5/32" Allen Wrench*

* To install and adjust leveling screws in stove base

4. APPROVED VENTING/CHIMNEY MATERIALS

The venting/chimney system for your Franklin Gas Stove must be constructed of Simpson Dura-Vent 4" x 6⁵/₈" direct vent gas pipe. All approved direct vent components bring fresh air into the Stove and vent exhaust gasses at the same time (see illustration 4.1).

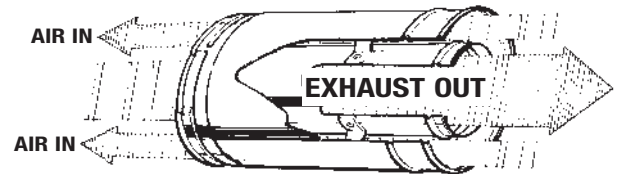


Illustration 4.1 Direct-vent pipe sends exhaust out and brings air in at the same time.

Approved venting materials are available from Simpson Dura-Vent Dealers or direct from Woodstock Soapstone Company. Approved components are listed below.

Description	Dura-Vent No.	
	Galvanized	Black
<i>Standard Direct Vent Kit consists of:</i>		
2 6 ⁵ / ₈ " x 2' Straight Pipe <u>OR</u>	46DVA-24	46DVA-24B
1 6 ⁵ / ₈ " x 6" Straight Pipe	46DVA-06	46DVA-06B
1 8 ¹ / ₂ " Pipe Extension	46DVA-08A	46DVA-08AB
2 6 ⁵ / ₈ " x 90 Degree Elbow	46DVA-E90	46DVA-E90B
1 6 ⁵ / ₈ " Wall Thimble	46DVA-WT	*
1 6 ⁵ / ₈ " Wall Thimble Cover		46DVA-DC
1 6 ⁵ / ₈ " Sq. Horizontal Termination	46DVA-HC	*

* Galvanized Only

Other Available Pipe:

Description	Galvanized	Black
6 ⁵ / ₈ " x 6" Straight Pipe	46DVA-06	46DVA-06B

**THIS APPLIANCE
MUST NOT BE
CONNECTED TO A
CHIMNEY SERVING A
SEPARATE SOLID
FUEL BURNING
APPLIANCE**

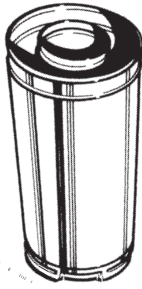


Illustration 4.2 All approved Simpson Dura-Vent Pipe has an inside passage to vent exhaust gasses, and an outside passage used to bring in fresh air for combustion.

6 ⁵ / ₈ " x 9" Straight Pipe	46DVA-09	46DVA-09B
6 ⁵ / ₈ " x 12" Straight Pipe	46DVA-12	46DVA-12B
6 ⁵ / ₈ " x 18" Straight Pipe	46DVA-18	46DVA-18B
6 ⁵ / ₈ " x 24" Straight Pipe	46DVA-24	46DVA-24B
6 ⁵ / ₈ " x 36" Straight Pipe	46DVA-36	46DVA-36B
6 ⁵ / ₈ " x 48" Straight Pipe	46DVA-48	46DVA-48B
6 ⁵ / ₈ " x 8.5" Pipe Ext.(3-7")	46DVA-08A	46DVA-08AB
6 ⁵ / ₈ " x 16" Pipe Ext. (3-14.5")	46DVA-16A	46DVA-16AB
6 ⁵ / ₈ " x 45 Degree Elbow	46DVA-E45	46DVA-E45B
6 ⁵ / ₈ " x 90 Degree Elbow	46DVA-E90	46DVA-E90B
6 ⁵ / ₈ " x 30 Degree Adj. Elbow	46DVA-E30	*
6 ⁵ / ₈ " x 60 Degree Adj. Elbow	46DVA-E60	*
Sq. Horizontal Termination Cap	46DVA-HC	*
48" Snorkel Termination Cap	FF/CF-SNK	*
Vinyl Siding Standoff	46DVA-VSS	*
6 ⁵ / ₈ " Wall Thimble	46DVA-WT	*
Wall Thimble Cover		46DVA-DC
Cathedral Ceiling Support Box		46DVA-CS
Restrictor Disc (top vent)	46DVA-RD	*
Storm Collar	46DVA-SC	*
Adj Roof Flashing (0/12-6/12 pitch)	46DVA-F6	*
Adj Roof Flashing (7/12-12/12 steep pitch)	46DVA-F12	*
High Wind Vertical Termination Cap	46DVA-VCH	*
Extended Vertical Termination Cap	46DVA-VCE	*
3" x 35' Flex Extension	2280	*
4" x 35' Flex Extension	2281	*
Masonry Chimney Conversion Kit	46DVA-KMC	
Chimney Conversion Kit A	46DVA-KCA	
Chimney Conversion Kit B	46DVA-KCB	
Chimney Conversion Kit C	46DVA-KCC	

* Galvanized Only

5. APPROVED CLEARANCES FOR INSIDE LOCATIONS

WARNING: Due to high temperatures, the Cottage Franklin Gas Stove should be placed out of traffic and away from furniture, draperies and other combustibles.

The Cottage Franklin Gas Stove is approved for venting in five configurations:

- (1) Up vertically and then elbow through an outside wall with a maximum horizontal run of 4'.
- (2) Straight out the back through an outside wall and into a snorkel termination cap (maximum 4' horizontal run, with 1/4" rise per foot of run).
- (3) Up vertically through the roof, with maximum rise of 24'.
- (4) Into an existing fireplace and chimney (maximum height of 24').
- (5) Into an existing masonry or prefabricated metal chimney (maximum height of 24').

NOTE: Details for these five configurations start on page 6. Each installation is unique. Please call a customer service representative for assistance at 1-800-866-4344.

CLEARANCES TO COMBUSTIBLE MATERIALS

Front of Firebox	36"
Sides of Stove	8"
Rear of Fireplace	11"
Rear Corners	4.5"
Rear of 90 Degree Elbow ..	2"

WARNING: This unit must be installed by a qualified gas technician in accordance with local codes or in the absence of local codes, with the most current edition of the National Fuel Gas Code ANSI Z223.1/NFPA 54.

Clearances inside the house for these three basic installations are indicated in the illustrations which follow.

The surface of the Cottage Franklin Gas Stove is hot when the appliance is in use. A safe installation requires that there be adequate clearances between the Cottage Franklin Gas Stove and nearby combustible materials, so that the combustible materials are not overheated. The diagrams that follow show minimum clearances between the Stove, Exhaust Pipe and nearby combustible materials.

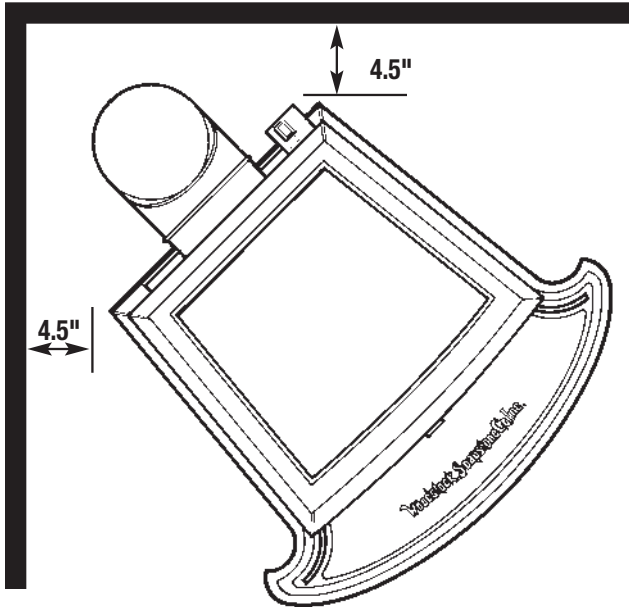


Illustration 5.1 Minimum Clearances: Corner Installation

A Corner Installation

Minimum Clearances

- Min. Clearance from corners to both side walls4.5"
- Pipe to wall (Vertical Vent).....2"

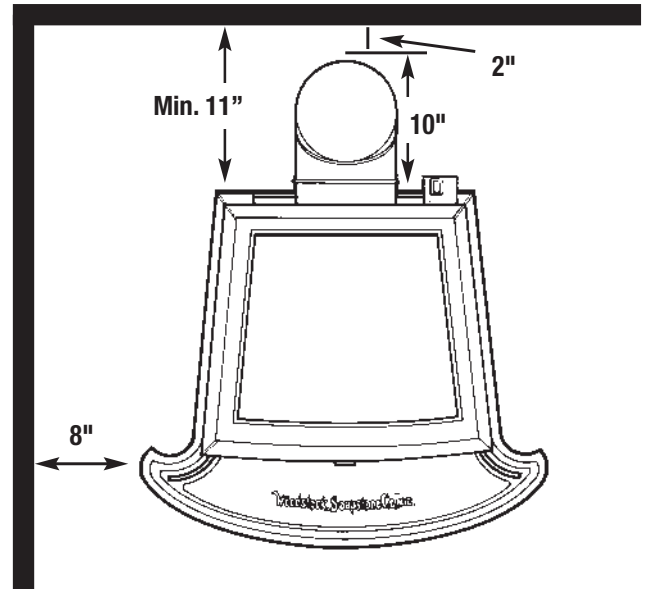


Illustration 5.2 Minimum Clearances: Parallel Installation

B Parallel Installation

Minimum Clearances

- Min. Clearance from back of pipe to wall.....2"
- Min. Clearance from Fireplace to side wall (Vertical vent).....8"
- Min. clearance from back of stove to wall (Straight vent).....11"

C Alcove Installation

The Cottage Franklin Gas Stove is approved for installation in an alcove constructed of combustible materials.

Minimum Clearances for Alcove Installation

- Min. Clearance from back of pipe to wall (Vertical Vent).....2"
- Min. Clearance from Fireplace to side walls8"
- Min. clearance from back of stove to wall (Straight vent)...11"

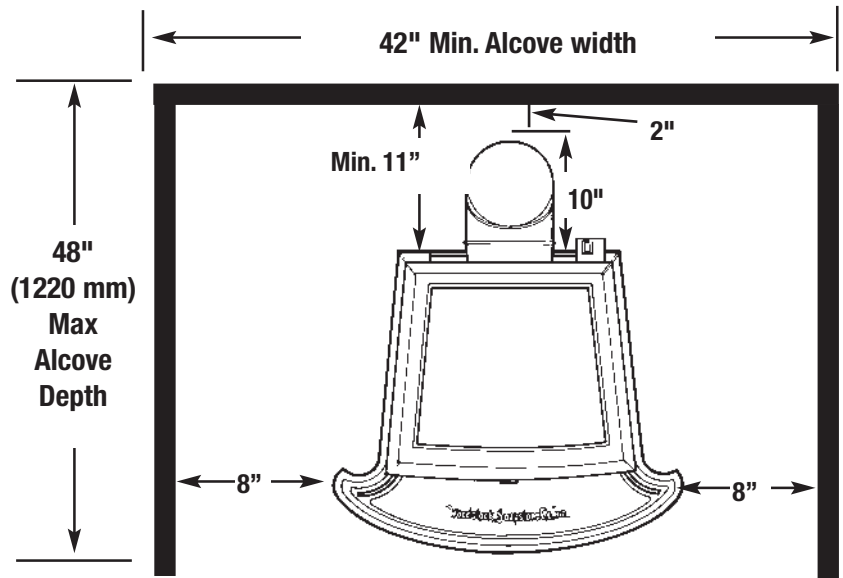
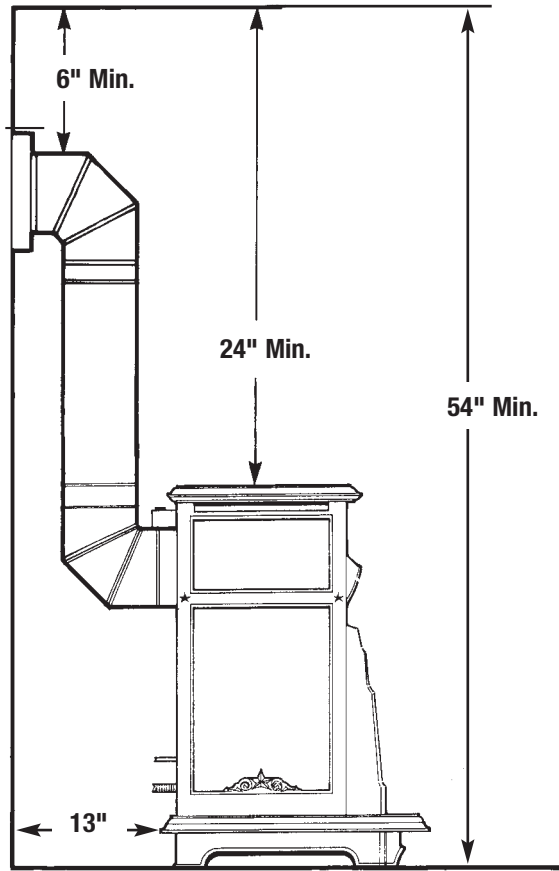


Illustration 5.3 Minimum Clearances: Alcove Installation

Combustible Ceiling in Alcove Installation



Minimum Clearances to Ceilings in Alcove Installation
 Min. Clearance from top of pipe to ceiling/mantle6"

Illustration 5.4 Minimum Clearances to Ceiling in Alcove Installation

6. APPROVED VENTING/CHIMNEY CONFIGURATIONS

CLEARANCES FOR VENT TERMINAL

Clearances for vent terminal locations are indicated in the diagram and chart on page 12.

Refer to the manufacturers instructions regarding installation of your venting system through walls or ceilings. Use only Simpson Dura-Vent Direct-Vent Pro Flue Systems.

The Cottage Franklin Gas Stove is designed to be installed in the following configurations:

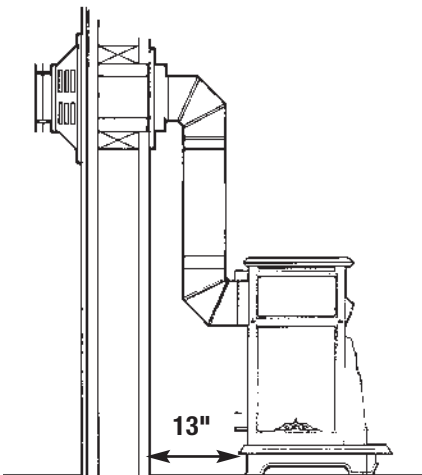


Illustration 6.1
Side wall venting configuration. (Available as standard vent kit) 13" is the minimum distance rear of the stove can be from wall when using two 90 deg. elbows as above.

A. Side Wall Venting

In this venting configuration, the pipe rises directly from the back of the Stove. The exhaust travels up, through two elbows, and out through a side wall. See illustration on previous page.

MINIMUM AND MAXIMUM DISTANCES	
• Maximum rise	16 feet
• Maximum recommended run	4 feet
• Maximum linear distance	20 feet
<p>Note 1. For distance added to horizontal run, an equal distance must be subtracted from vertical rise. Horizontal run must not exceed 8'.</p> <p>Note 2. Each 90 deg. elbow reduces the maximum lineal distance by 3'. Each additional 45 deg. elbow reduces it by 1.5'</p>	
• Wall Opening:	
Masonry wall.....	7" opening
Non-masonry wall.....	framed to 10" x 10"

Refer to Simpson Dura-Vent instruction regarding installation of your Direct-Vent System.

Please note the following considerations for the location of the vent terminal:

1. The horizontal run must rise a minimum of 1/4" per foot of run toward the vent termination.
2. The termination must not be recessed into the the exterior wall or siding.
3. Clearances must be maintained around the vent termination . See illustrations on page 12.
4. Vinyl Siding requires protection from vented heat above the termination. Use Simpson Dura-vent Vinyl Siding Heat Shield Kit, part #46DVA-VSS.



**ALL VENT CLEARANCES MUST BE MAINTAINED.
CHECK YOUR VENT CLEARANCES AGAINST THE
ILLUSTRATIONS ON PAGE 12.**

The venting should be located so that people cannot be burned by accidentally touching hot vent surfaces while the Stove is in operation.

The vent termination must be placed so that it cannot be damaged by automobile doors, lawnmowers or yard equipment, or falling ice and snow.

B. Side Wall Venting (straight back through wall)

In this venting configuration, the pipe runs directly out the back of the Stove, through an outside wall and then up with a snorkel termination cap. See illustration at left.

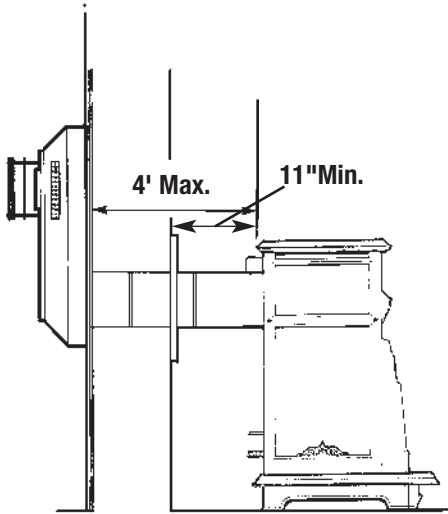


Illustration 6.2

If stove is vented straight back, Snorkel attachment is required.

MINIMUM AND MAXIMUM DISTANCES

- Maximum run.....4 feet
Note: Use of 45 deg. elbow reduces the max run to 2.5 feet
- Minimum rise2 feet
- Minimum Distance between the inside wall and the back of Fireplace11"
- Wall Opening:
Masonry wall7" opening
Non-masonry wall.....framed to 10" x 10"

Refer to the Simpson Dura-Vent instructions regarding installation of your Direct-Vent system.

Please note the following considerations for the location of the vent terminal:

1. The horizontal run must rise a minimum of 1/4" per foot of run toward the vent termination.
2. Clearances must be maintained around the vent termination . See illustrations on page 12.
3. The termination must not be recessed into the the exterior wall or siding.
4. Vinyl Siding requires protection from vented heat above the termination. Use Simpson Dura-vent Vinyl Siding Heat Shield Kit, part #46DVA-VSS.



**ALL VENT CLEARANCES MUST BE MAINTAINED.
CHECK YOUR VENT CLEARANCES AGAINST THE
ILLUSTRATIONS ON PAGE 12.**

The venting should be located so that people cannot be burned by accidentally touching hot vent surfaces while the Stove is in operation.

The vent termination must be placed so that it cannot be damaged by automobile doors, lawnmowers or yard equipment, or falling ice and snow.

C. Vertical Venting (straight up through roof)

In this venting configuration, the pipe rises directly from Stove and goes up through the roof, terminating above the roof. See illustration 6.3.

MINIMUM AND MAXIMUM DISTANCES

- Maximum vertical rise24'*

Height of termination above roof must conform to chart below

Roof Pitch	A Minimum height from roof to lowest discharge opening
Flat to 6/12	1.0 feet
6/12 to 8/12	2.0 feet
8/12 to 10/12	3.0 feet
10/12 to 12/12	4.0 feet

*Max rise is 24' without additional elbows
 Each 90 deg. elbow reduces the maximum lineal distance by 3'. Each additional 45 deg. elbow reduces it by 1.5'

Refer to the Simpson-Dura Vent instructions regarding installation of your Direct-Vent system.

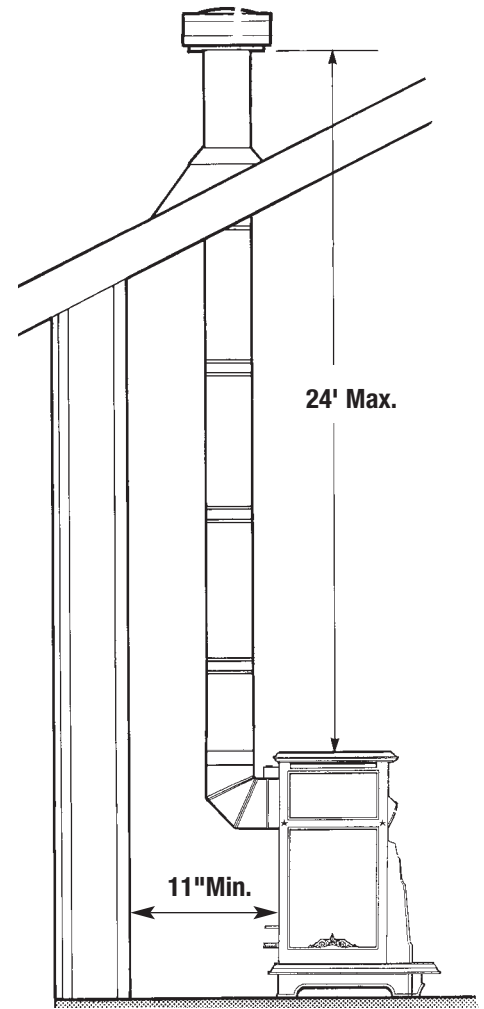


Illustration 6.3
 Vertical venting configuration.
 (Max height 24')



**ALL VENT CLEARANCES MUST BE MAINTAINED.
 CHECK YOUR VENT CLEARANCES AGAINST THE
 ILLUSTRATIONS ON PAGE 12.**

The Cottage Franklin Gas Stove is currently approved only for venting with the components listed previously on pages 3 and 4. Install the vent system according to the manufacturers instructions, which are included with the components.

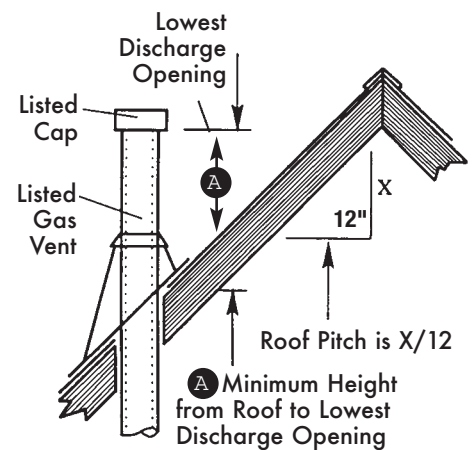


Illustration 6.4

D. Venting Into an Existing Fireplace and Chimney

You can vent your Cottage Franklin Gas Stove into an open fireplace by running two flexible ducts up the length of the chimney. One duct will carry the exhaust gases to the top of the chimney while the other duct brings fresh air into the stove for combustion. See illustration 6.4.

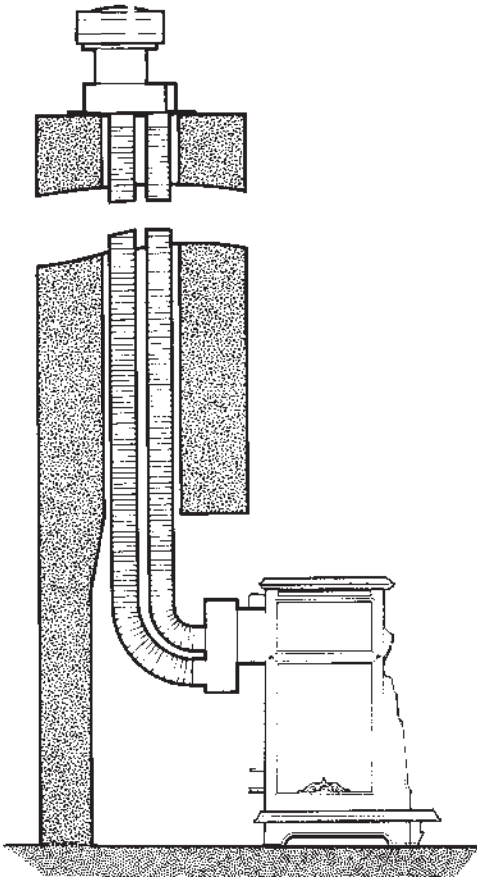


Illustration 6.4 Venting into fireplace and up into existing chimney using co-linear ducts.

MINIMUM AND MAXIMUM DISTANCES

- Maximum vertical rise.....24 feet*
 - Venting duct requirements are based on the factors below
 - Up to 16' vertical.....3" exhaust,
.....3" combustion air
 - Up to 24' vertical.....3" exhaust,
.....4" combustion air
- *Each 90 deg. elbow reduces the maximum lineal distance by 3'. Each additional 45 deg. elbow reduces it by 1.5'

Refer to the Simpson Dura-Vent instructions regarding installation of your Direct-Vent system.



**ALL VENT CLEARANCES MUST BE MAINTAINED.
CHECK YOUR VENT CLEARANCES AGAINST THE
ILLUSTRATIONS ON PAGE 12.**

E. Venting Into an Existing Masonry or Prefabricated Metal Chimney

You can vent your Cottage Franklin Gas Stove into an existing chimney by running a flexible duct up the length of the chimney. This 4" duct will carry the exhaust gases to the top of the chimney. The surrounding chimney area is utilized to bring fresh air into the stove for combustion.

Venting into a masonry chimney requires a conversion kit, 4" duct, and a cap. See illustration 6.6 on page 11. Venting into an existing prefabricated metal chimney requires a conversion kit specific to the brand of chimney installed, a 4" duct, and a cap. See illustration 6.5 for more detail.

MINIMUM AND MAXIMUM DISTANCES

- Maximum vertical rise24'*
- Minimum chimney inside diameter6"
- RequiredExisting chimney must be lined

*Max rise is 24' without additional elbows.
 Each 90 deg. elbow reduces the maximum lineal distance by 3'. Each additional 45 deg. elbow reduces it by 1.5'

Refer to the Simpson-Dura Vent instructions regarding installation of your Direct-Vent system.



**ALL VENT CLEARANCES MUST BE MAINTAINED.
 CHECK YOUR VENT CLEARANCES AGAINST THE
 ILLUSTRATIONS ON PAGE 12.**

MANUFACTURED HOUSING INSTALLATION

The Cottage Franklin Gas Stove may be installed in Manufactured Housing with the following supplemental requirements:

- (1) The appliance must be securely bolted to the floor with steel straps secured to the leg bolts and to the floor with minimum 1/4" lag bolts. Contact Woodstock Soapstone Company for steel straps.
- (2) The appliance must be grounded to the manufactured home trailer frame with a No. 8 (minimum) solid conductor.

The Cottage Franklin Gas Stove is currently approved only for venting with the components listed previously on pages 3 and 4. Install the vent system according to the manufacturers instructions, which are included with the components.

Note: A manufactured home(USA only) or mobile home OEM installation must conform with the Manufactured Home Construction and Safety Standard, Title 24 CFR, Part 3280, or, when such a standard is not applicable, the Standard for Manufactured Home Installations, ANSI A225.1/NFPA 501A, or Standard for Gas Equipped Recreational Vehicles and Mobile Housing, CSA Z240.4

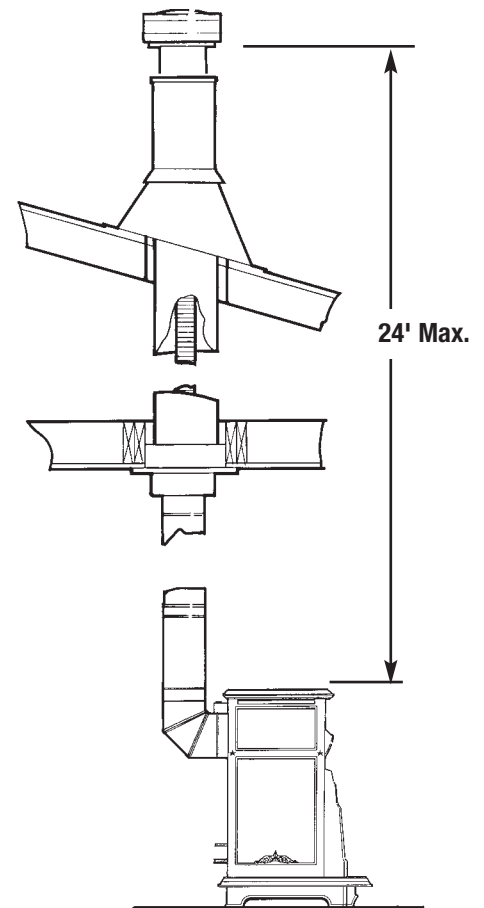


Fig. 6.5 Venting into existing metal chimney using 4" exhaust duct and conversion kit.

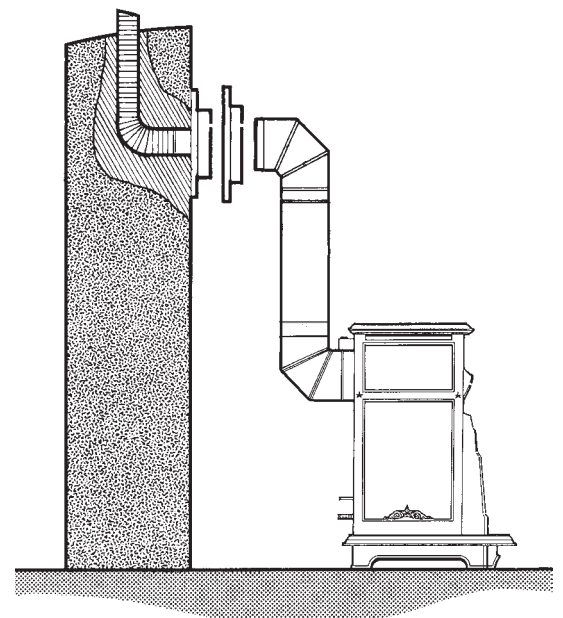
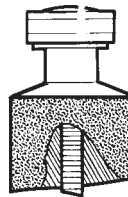


Fig. 6.6 Venting into existing masonry chimney using 4" duct and conversion kit.

7. APPROVED VENTING/CHIMNEY TERMINAL CLEARANCES

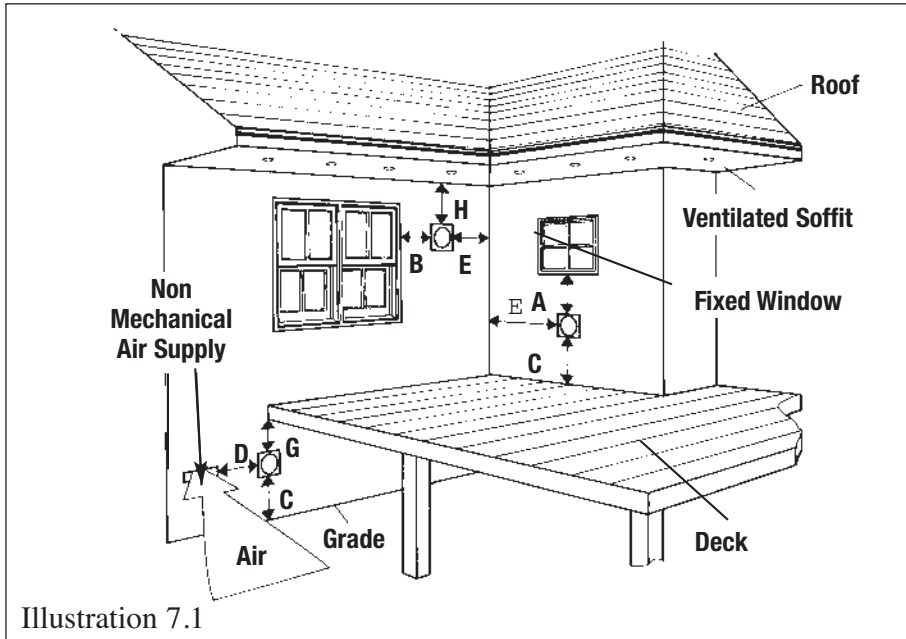


Illustration 7.1

- A. Clearance to a permanently closed window12"
- B. Clearance to a window or door that may be opened12"
- C. Clearance above grade. Also, clearance over deck, porch, veranda or balcony12"
- D. Clearance to non-mechanical air supply inlet or combustion air inlet of any other appliance12"
- E. Clearance to inside corner or adjacent wall.....12"
- F. Clearance to a non-ventilated soffit12"
- G. Clearance below deck, porch, veranda, or balcony if completely open on two sides18"
- H. Clearance to ventilated soffit located above the terminal within a horizontal distance of 2 feet from the center of the terminal.....18"
- I. Clearance around a center line above service regulator .3 feet
- J. Clearance to vegetation..3 feet
- K. Clearance around a service regulator vent outlet.....6 feet
- L. Clearance to a mechanical air supply6 feet
- M. Clearance above a paved sidewalk or driveway on public property. May not terminate above a sidewalk or driveway which is between two single family dwellings and serves both dwellings7 feet

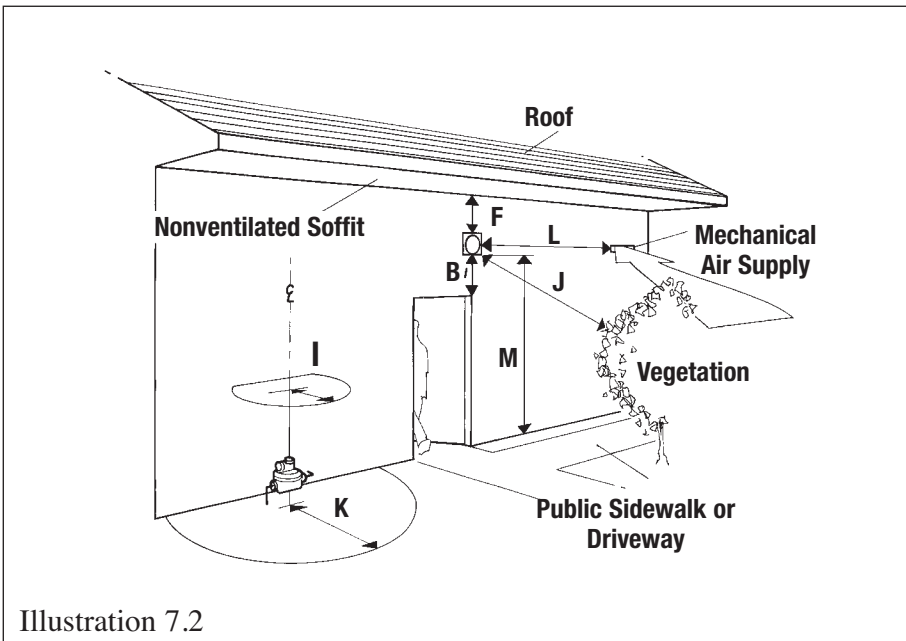


Illustration 7.2

8. UNPACKING THE FIREPLACE

Remove Packaging

1. There is a corrugated carton packed on the front skirt of the Fireplace. The corrugated box contains the ceramic logset as well as leveling screws and the window clip tool. Remove the carton and set it aside.
2. Use a 7/16" socket or wrench to remove bolts and washers that attach stove to shipping pallet from below.
3. Lift the Fireplace straight up off the pallet by hand, being careful not to damage the controls and wiring that are under and at the back of the Fireplace. The Fireplace is heavy. You will need 2 people to lift it.
4. The ceramic tile is located in the burner pan. Remove rubber bands and label before use.

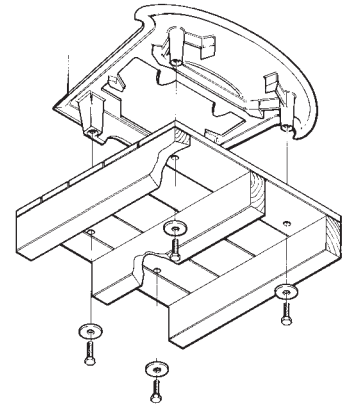


Illustration 8.1 There are four bolts that hold the Fireplace to the pallet during transport. Before lifting the Fireplace off the pallet, you must detach the bolts from the pallet. Remove the four bolts using a 7/16" wrench. Insert the 4 leveling screws into the base.

Packing List

- A. Owners Manual (packed on top of Fireplace)
- B. Corrugated box containing:
 1. Log set (handle the log set with care; the ceramic logs are fragile)
 2. Window clip tool
 3. Leveling screws
 4. Three #8 self drilling screws for first section of pipe

9. PRE-INSTALLATION INSPECTION CHECKLIST FOR INSTALLER

1. Check that both intake and exhaust venting are clear of any debris or other obstruction at the back of the Fireplace.
2. Check that the gas manifold is connected to both the controller and the orifice at the back wall of the Fireplace and is free from damage (see illustration 9.3).
3. Remove the Front Casting (see illustration 9.1).
4. Remove the Glass Front (see illustration 9.2).
5. Check that the Pressure relief Lids are both seated flat
6. Check that the pilot gas tube, and thermocouple are properly connected to both the pilot assembly and gas controller (see illustration 9.4)

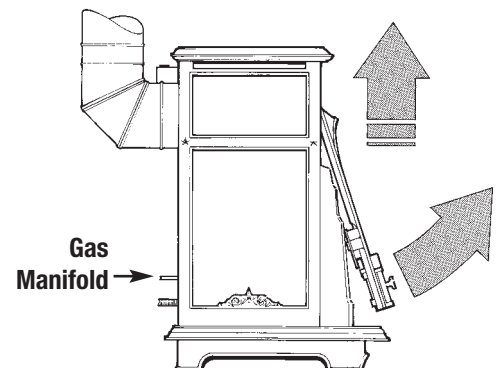


Illustration 9.1 To remove the front casting, lift straight up under the lip that extends over the top of the glass. This assembly includes the swinging door.

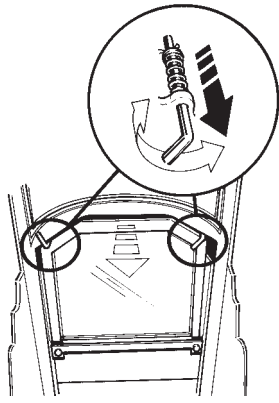
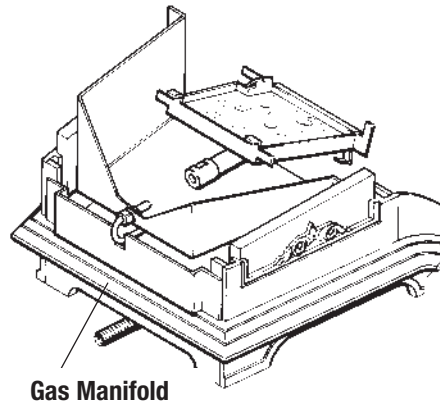


Illustration 9.2 The glass front is held in place by two spring-loaded clips. To release the clips, pull and twist.



Gas Manifold

Illustration 9.3 The burner pan fits in the base of the Fireplace as illustrated.

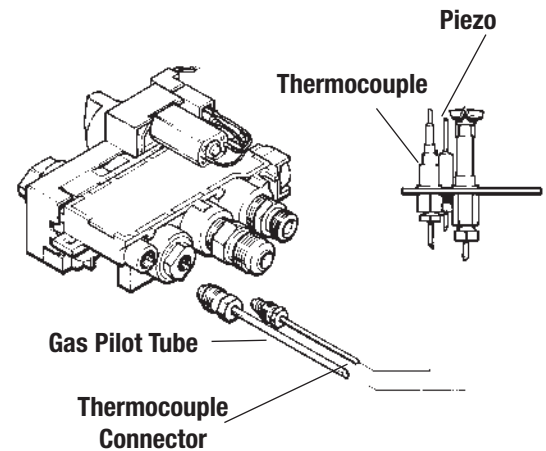


Illustration 9.4 These connections should be checked carefully.

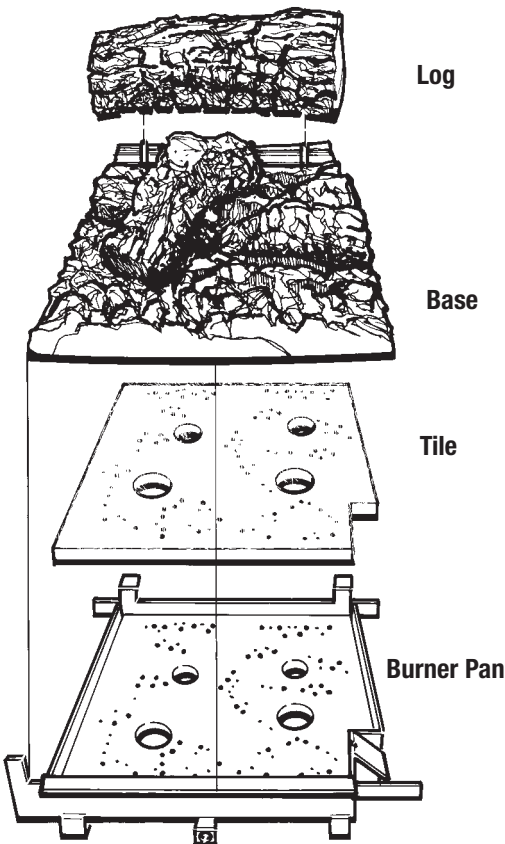


Illustration 10.1 Burner pan with ceramic tile and logset assembly. Ceramic tile and Logset are fragile. Please handle with care while installing and cleaning.

10. ASSEMBLING THE FIREPLACE

1. INSTALLING THE LOGSET

Your Cottage Franklin Gas Stove has been carefully assembled by our craftsmen. Because of the fragile nature of the ceramic logset it is packaged separately to ensure safe shipping, and requires minor assembly. Please refer to the following instructions and diagram to ensure proper placement of the logset.

Remove the front casting by lifting straight up with one hand on the cast lip above and below the screen barrier. This assembly includes the swinging door at the bottom and is heavy. Care should be taken while removing. (See illustration 9.1 on previous page.)

The glass panel is held in place with two spring loaded clips at the top and a rail bolted at the bottom. The clips can be released using the tool provided. Loop the tool over the end of the clips then pull and twist them out of the way. The panel may be removed by lifting it up and out. (See illustration 9.2.)

The burner pan is located in the bottom of the firebox and is bolted in place to ensure safe shipping. The white ceramic tile fits securely in the recess in the top side of the burner pan. The top of the tile may protrude above the sides of the burner pan slightly. The logset base should be placed over the ceramic tile. Locate it by sliding it to the right and then back to the left until it hits the metal stop on left of the burner pan (See illustration 10.1.). The logset base should be as far forward as possible.

Place the large log section over the protruding pins at the rear of the logset base.

2. REPLACE GLASS FRONT/FRONT CASTING

Once the tile and logset have been assembled the glass panel may

be reinstalled. Be sure the bottom edge of panel fits snugly into bottom rail and clips are fastened securely.
Replace the front casting.

3. INSTALLING OPTIONAL EQUIPMENT:

Installing optional remote control:

The Cottage Franklin Gas stove may be equipped with an optional remote control. The remote has several functions. It can turn the burner on or off, regulate flame height or act as a timer/thermostat. The remote control system includes the remote transmitter, the remote receiver, and connecting wires.

Refer to instructions for installation and operation included with the remote control system. (See appendix B page 36)

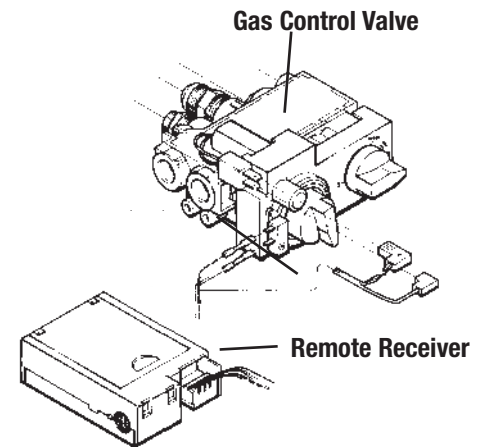


Illustration 10.2 *Optional remote control system connections to the control valve.*

11. CONNECTING THE GAS SUPPLY & TESTING THE FLAME

WARNING: This unit must be installed by a qualified gas technician in accordance with local codes or in the absence of local codes, with the most current edition of the National Fuel Gas Code ANSI Z223.1/NFPA 54.

1. CHECK THE GAS LINE PRESSURE (LP)

Before connecting the Stove to the gas line, you should check the gas line pressure. The stove and its main gas valve must be disconnected from the gas supply piping system during any pressure testing of that system at test pressures in excess of 1/2 psi (3.5kPa/14"WC). If the gas line pressure is too high it will rupture the gas control valve on the Stove.

Isolate the stove from the gas supply piping system by closing the shut-off valve during any pressure testing of the gas supply piping system at test pressures in excess of 1/2 psi (3.5kPa/14"WC).

2. ATTACH GAS LINE TO THE CONTROL VALVE

The gas supply line is connected to the Stove gas control valve through a 1/2" flexible connector pre-attached to the valve using a 3/8" male NPT fitting. The gas supply line for either propane (LPG) or natural gas (NG) should be large enough to support (25,000 Btu) and should be connected with a male 1/2" 45 degree flare fitting. Consult local building codes to properly size the gas supply line.

3. TEST FOR LEAKS

Test for leaks using a sniffer, soapy water or an approved leak testing spray. Check each joint or connection from the main supply valve to the Stove. Check the connections on the control valve as well as those in the Stove in case one loosened in shipment. **Again, never test with an open flame.**

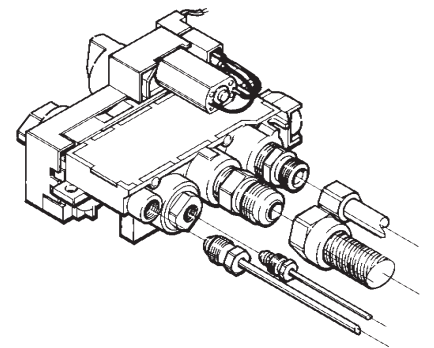


Illustration 11.1 *Connection to the stove can be made with a straight or elbowed 1/2" fitting into the flexible connector.*

4. TEST PRESSURE THROUGH CONTROL VALVE

Test pressure to and through the control valve using a manometer on the test gauge taps on the control valve. The line must be tested as follows:

Propane (LPG or LP):

10.5" w.c.manifold pressure

11.0" w.c.minimum inlet supply for adjustment

Natural gas:

3.5" w.c.manifold pressure

4.0" w.c.minimum inlet supply for adjustment

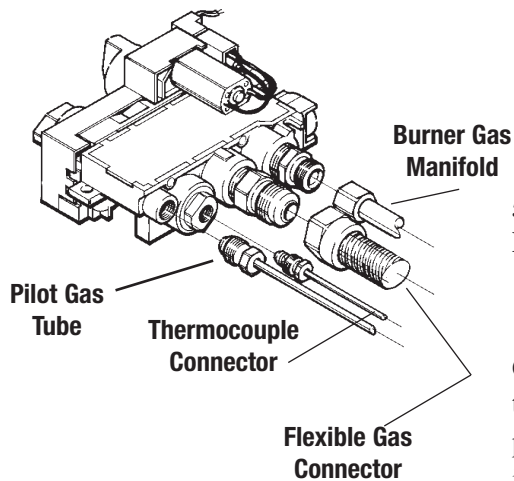


Illustration 11.2 This illustration shows connection at the control valve at the rear of the Fireplace.

5. LIGHT THE STOVE, FOLLOWING LIGHTING DIRECTIONS ON PAGE 21. (FRONT GLASS AND FRONT CASTING MUST BE IN PLACE PRIOR TO LIGHTING)

6. The Air Shutter covers the end of the venturi opening at the base of the Burner Pan and controls the air/fuel mixture. The Shutter has been pre-set to provide an optimum yellow flame at sea level when the Logset is warmed up.

If you are operating a Natural Gas Stove at an elevation other than sea level, it may be necessary to adjust the position of the air shutter. Wait fifteen minutes after first lighting the Burner to see if the flame changes from mostly blue to bright yellow. If it remains blue than there is too much air getting into the mix. If the flame turns orange or smoky then there is too little air getting into the mix.

Note: Allow Stove to cool before handling.

Air Shutter Adjustment To adjust the amount of air, remove front casting, glass panel and logset assembly following instructions on p. 14. The burner pan is secured to the firebox with a one inch bolt which must be removed to take the pan out. (see diagram 11.3)

Carefully lift the burner pan up and out of the firebox, avoid damaging the orifice at the rear.

Adjust the shutter by loosening the screw (see diagram 11.5). Twist the shutter open to allow more air into the venturi or closed to restrict the amount of air. Tighten screw.

Replace the burner pan by inserting the venturi under the back edge of the firebox and pushing it carefully over the orifice. Note: When the burner pan is properly located it will sit squarely in the firebox with equal space approximately 1/8" between the four tabs on the pan and the sides of the firebox. The 1" bolt will fit easily into the tab at the front of the pan when in the proper position. (see diagram 11.4)

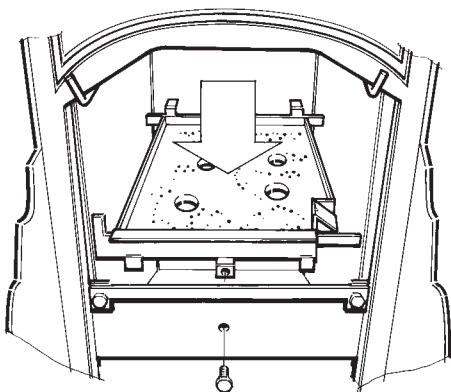


Illustration 11.3 The burner pan is attached as illustrated above.

Replace ceramic tile, logset, glass panel, and front casting following assembly instructions on page 14. Light fire and see how flame looks with the adjustment. Allow stove to cool before making further adjustments if necessary.

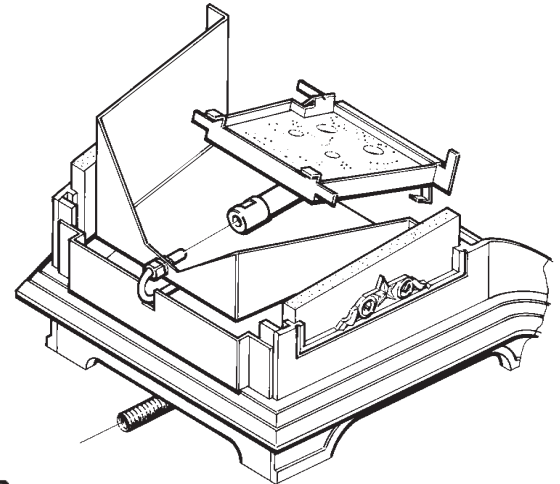


Illustration 11.4 The venturi fits securely over the orifice with the burner pan properly located in the firebox.

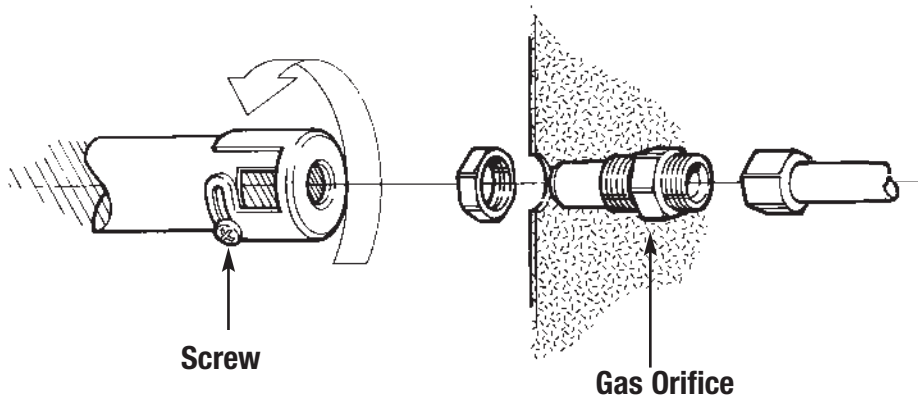


Illustration 11.5 Installer: adjust the air shutter to modify fuel/air mixture.

The Screen Barrier for the Glass Front

A screen barrier has been installed on the front of your Cottage Franklin Gas Stove to reduce the risk of burn from the hot viewing glass. It has been installed at the factory for the protection of children and other at-risk individuals. It should not be removed.

If the screen barrier becomes damaged, it shall be replaced with the barrier made by Woodstock Soapstone Company for the Cottage Franklin Gas Stove. The screen barrier is attached to the front casting, and should not be removed even to service the stove.

Installation and repair should be done by a qualified service person. The stove should be inspected before use and at least annually by a professional service person. More frequent cleaning might be required due to excessive lint from carpeting, bedding material, and so on. It is imperative that control compartments, burners, and circulating air passageways be kept clean.



The screen barrier, part # G-262 is held permanently in place with three clips, two on the bottom and one at the top of the barrier.

Note: Clothing or other flammable material should not be placed on or near the appliance. Do not attempt to dry mittens or gloves by placing them on the stove.